

Flange Dimensions for the Z4200 Transport Pump Have Changed

Starting with serial number 352770TA, the dimensions for the following have changed.

- Bolt hole locations for the auxiliary inlet flanges and the outlet flanges
- Flange thickness and part numbers for both the auxiliary inlet flanges and the outlet flanges
- Opening of the casing for the auxiliary inlet

The following flanges are no longer compatible with the model Z4200.

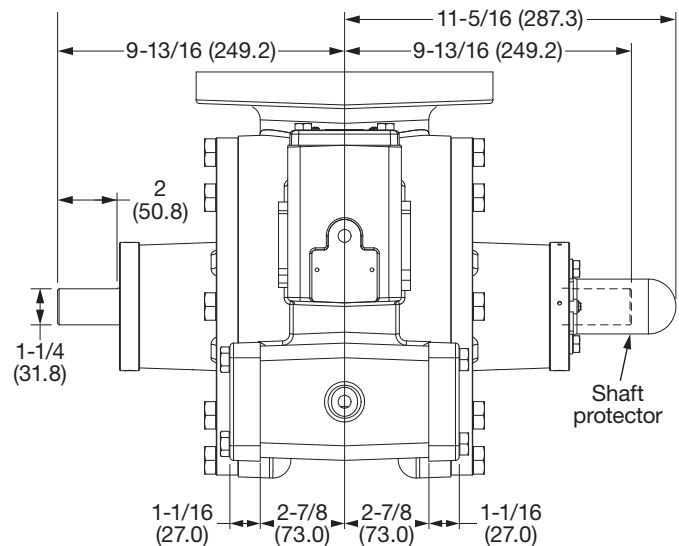
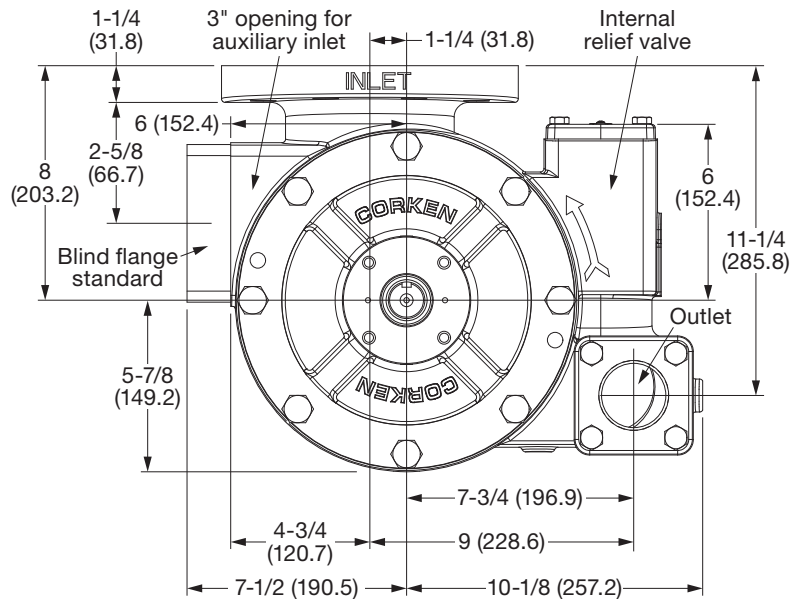
- 1172-2 Auxiliary Inlet (2" NPT)
- 1172-2S Auxiliary Inlet (2" Weld)
- 1920-3 Auxiliary Inlet (Blind)
- 4479-2 Outlet (2" NPT)
- 4981-2 Outlet (2" NPT)

Listed below are the new part numbers for both the auxiliary inlet flanges and the outlet flanges:

- 5065 Auxiliary Inlet (Blind-Standard)
- 5065-2 Auxiliary Inlet (2" NPT—No Cost Option)
- 5065-2S Auxiliary Inlet (2" Weld—Cost Option)
- 5065-3 Auxiliary Inlet (3" NPT—No Cost Option)
- 5065-3S Auxiliary Inlet (3" Weld—Cost Option)
- 5363-2 Outlet (2" NPT—No Cost Option)
- 5363-2S Outlet (2" Weld—Cost Option)

Reason for this change?

With these changes the Z4200 is now dimensionally compatible with the competition so retro-fitting is easier.



All dimensions are in inches (millimeters)

Solutions beyond products...

CORKEN®

CORKEN, INC. • A Unit of IDEX Corporation
9201 North I-35 Service Road, Oklahoma City, OK. 73131 U.S.A.
Phone (405) 946-5576 • FAX (405) 948-7343
Website: www.corken.com
E-mail: cocsalesdept@idexcorp.com



@CorkenInc

