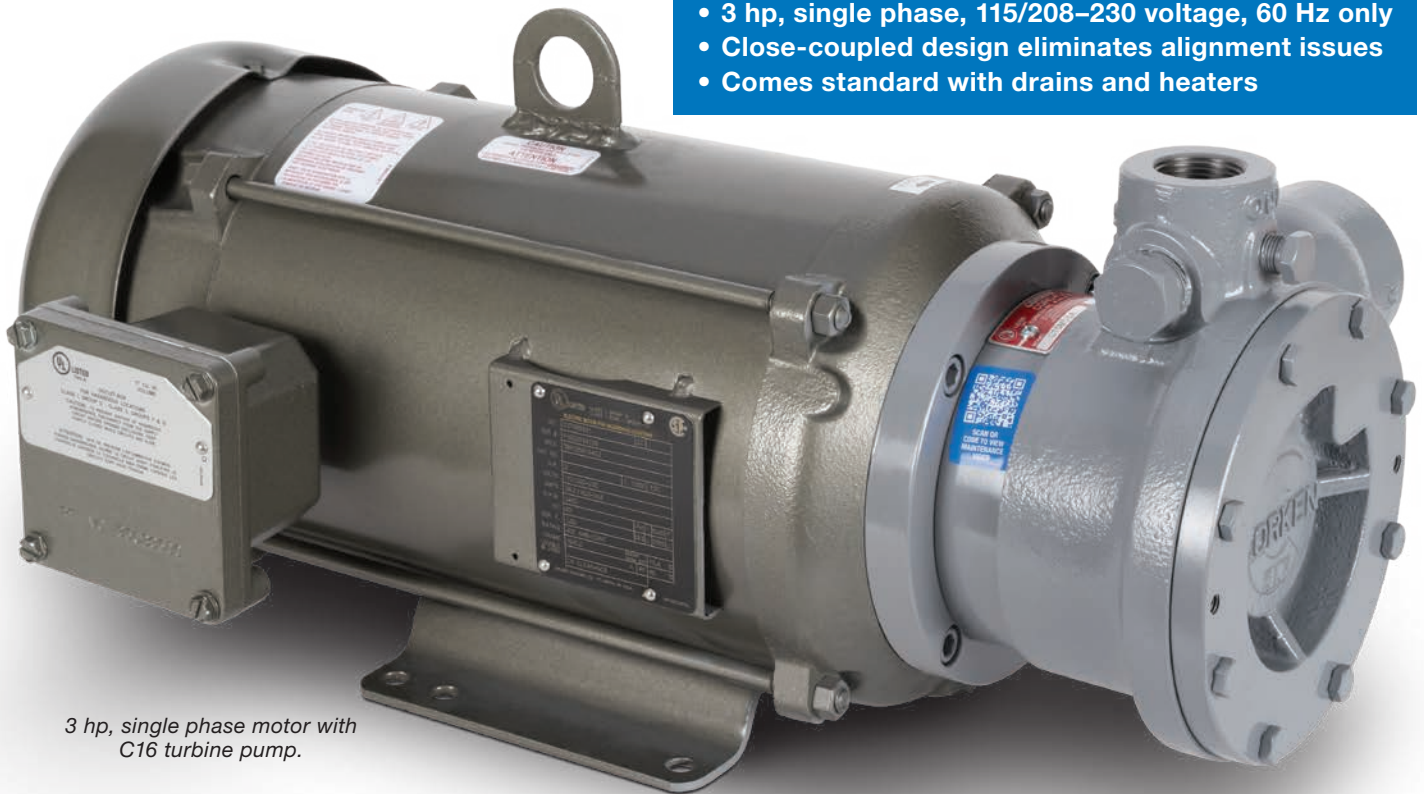


New 3 HP, Single Phase Motor For All C-Model Turbine Pumps

Corken now offers a single phase 3 hp motor for all C-Model, close-coupled, turbine pumps. The new part number is 4885 and the letter “M” in the model number configuration string is the designator (e.g. model C16MD6A).

Specifications and Features:

- 3 hp, single phase, 115/208–230 voltage, 60 Hz only
- Close-coupled design eliminates alignment issues
- Comes standard with drains and heaters



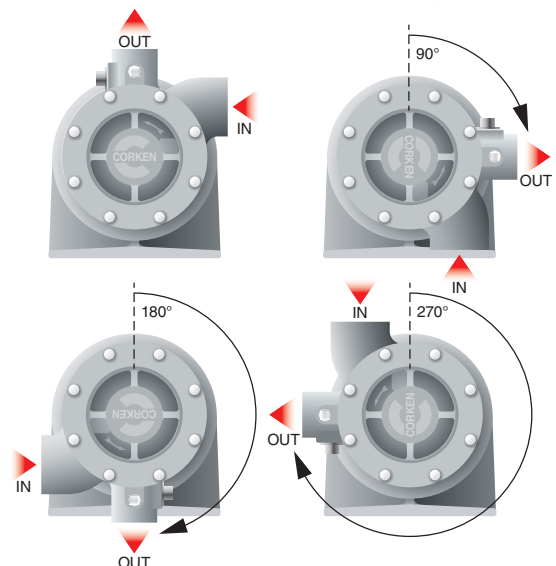
3 hp, single phase motor with C16 turbine pump.

Wire Sizing Chart

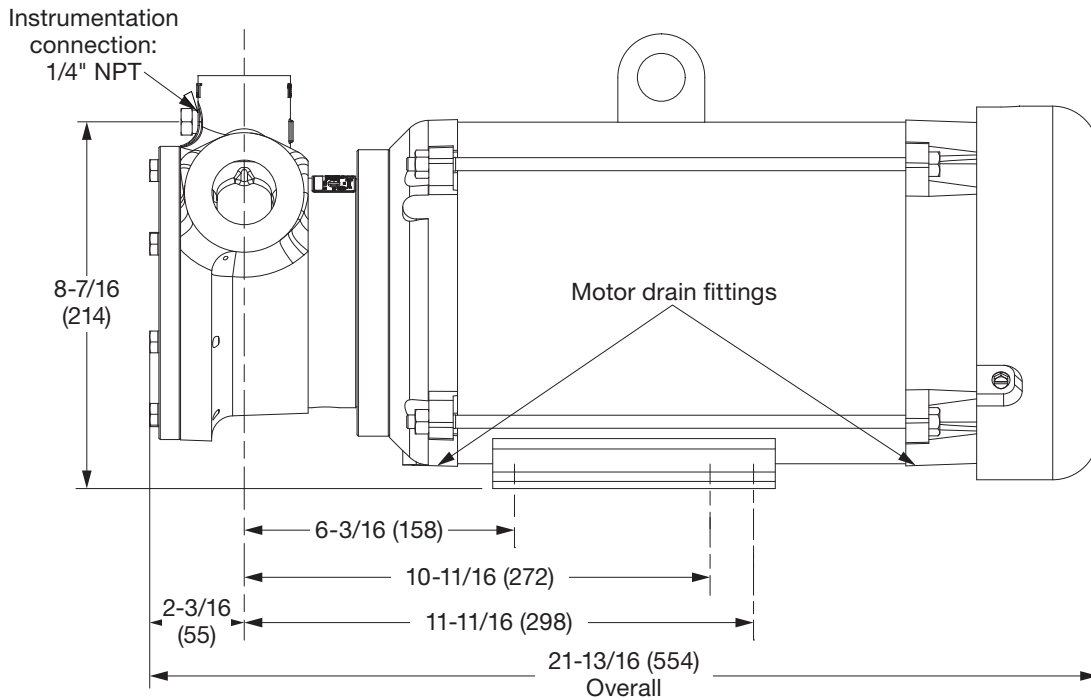
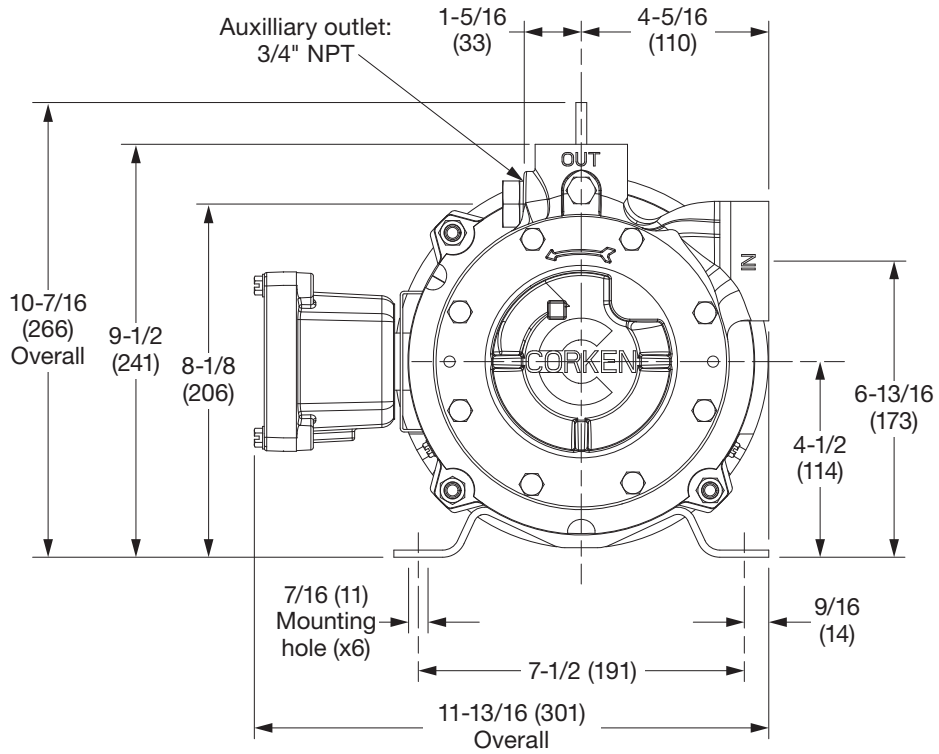
Model	All C-Models	
Motor Part No.	4885	
Hp	3	
Phase	1	
Voltage	115	208–230
Approximate Full Load Amperage	29	14.5
Minimum Wire Size, AWG Length of Run in Feet		
0–100	6	12
to 200	4	8
to 300	2	8
Wiring Connections	115V	230V

Nozzle Rotation

The pump nozzles may be rotated into four different positions, 90 degrees apart, if desired.



Outline Dimensions



All dimensions are in inches (millimeters).

Solutions beyond products...

CORKEN®

CORKEN, INC. • A Unit of IDEX Corporation
 3805 NW 36th St., Oklahoma City, OK 73112 U.S.A.
 Phone (405) 946-5576 • FAX (405) 948-7343
 Visit our website at www.corken.com
 E-mail us at cocsalesdept@idexcorp.com



@CorkenInc

