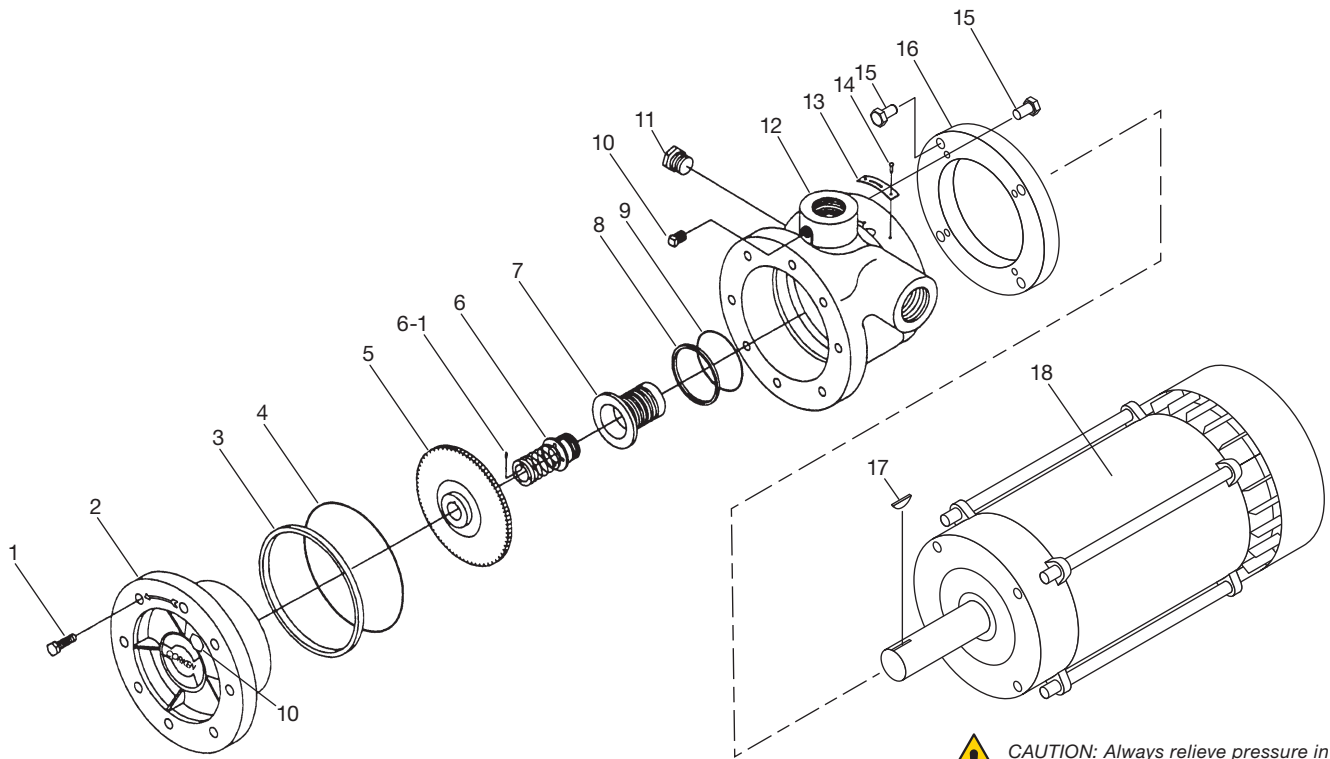


Appendix E—Parts Details for All C-Model (Close-Coupled) Pumps

C10, C12, C13, C14, and C16



CAUTION: Always relieve pressure in the unit before attempting any repairs.

Ref No.	Part No.	Description	Qty.
1.	7001-031NC100A	Hex head cap screw	8
2.	1001-0	Cover—model 10	1
	1001-2	Cover—model 12	1
	1001-3	Cover—model 13	1
	1001-4	Cover—model 14	1
	1001-6	Cover—model 16	1
3.	1014 ^a	Case clearance shim (.002" red)	As req.
	1014-1 ^a	Case clearance shim (.003" green)	As req.
4.	2-246A ^a	Case O-ring (Buna-N)	1
5.	1003-0 ^b	Impeller, bronze—model 10	1
	1003-2 ^b	Impeller, bronze—model 12	1
	1003-3 ^b	Impeller, bronze—model 13	1
	1003-4 ^b	Impeller, bronze—model 14	1
	1003-6 ^b	Impeller, bronze—model 16	1
6.	113-CXA6	Seal assembly (Buna-N O-rings)	1
6-1.	1009 ^a	Seal pin	1
7.	1004-1 ^c	Seal housing without pin (steel)	1
	1004-1X ^d	Seal housing with pin (steel)	1
8.	1013	Housing adjustment shim (.010")	As req.
	1013-1	Housing adjustment shim (.020")	As req.
9.	2-224A ^a	Housing O-ring (Buna-N)	1
10.	3442	Pipe plug, 1/4" NPT	2

Ref No.	Part No.	Description	Qty.
11.	3444	Pipe plug, 3/4" NPT	1
12.	1002-0	Case—model 10	1
	1002-2	Case—model 12	1
	1002-3	Case—model 13	1
	1002-4	Case—model 14	1
	1002-6	Case—model 16	1
13.	1914-1	Nameplate	1
14.	7012-006SF019E	Phillips head screw 6-32 x 1/4"	2
15.	7002-037NC087A	Socket head cap screw	8
16.	1015	Adapter ring	1
17.	2497 ^a	Woodruff key (steel)	1
	2497-1 ^a	Woodruff key (stainless steel)	1
18.	2557	Motor 3 hp—model 14 and 16 (three phase)	1
	4261	Motor 2 hp—models 10, 12, and 13	1
	4261-1	Motor 1 hp—models 10 and 12	1
	4885	Motor 3 hp—models 14 and 16 (single phase)	1

^a Included with seal assembly/repair kit 113-CXA6.

^b For a ductile iron impeller, add a 1 to the end of the part number (example: model 10 with ductile iron is 1003-01).

^c Pin is not required for Buna-N, Neoprene®, and Viton® O-rings.

^d Pin is required for PTFE and Kalrez® O-rings.