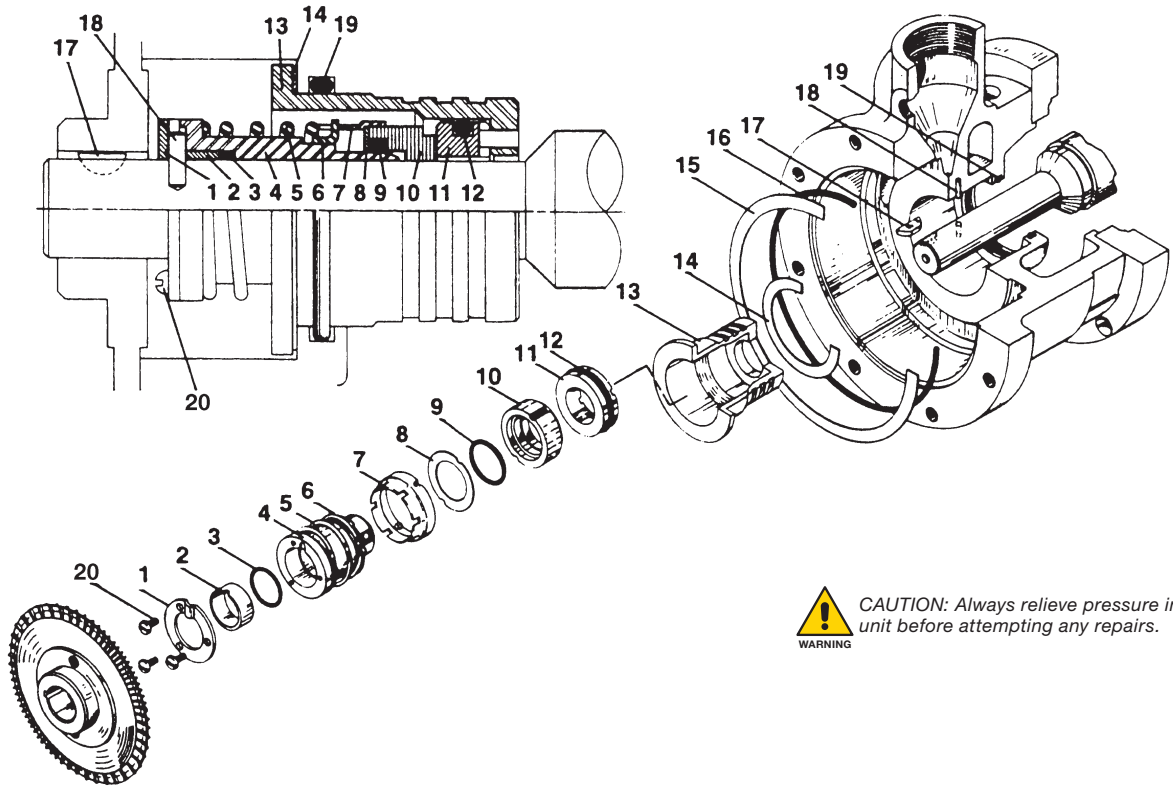


Appendix E—Parts Details for the Balanced Seal Assembly (113-CX_)

All Models 10, 12, 13, 14, 16, 17, 18, and 19



CAUTION: Always relieve pressure in the unit before attempting any repairs.

Ref No.	Part No.	Description	Qty.
1.	1008	Seal clamp ring	1
2.	1080	Follower (aluminum)	1
	1080-1	Follower (stainless steel)	1
3.	2-018_a	Follower O-ring	1
4.	1007 ^c	Seal sleeve (aluminum)	1
	1007-2	Seal sleeve (stainless steel)	1
5.	2734 ^c	Spring	1
6.	2735 ^c	Drive band	1
7.	2736 ^c	Retainer	1
8.	2737 ^c	Disc	1
9.	2-118 ^{a, f}	Rotor O-ring	1
	2343-X ^{d, g}	Coro-seal (not shown)	1
10.	2738 ^{c, f}	Rotor	1
	2738-1 ^{d, g}	Rotor for Coro-Seal	1
11.	2739	Seat (silicon carbide)	1
12.	2-123_a	Seat O-ring	1
13.	1004-1 ^h	Seal housing without pin (steel)	1
	1004-11 ^h	Seal housing without pin (stainless steel)	1
	1004-1X ^{e, f, i}	Seal housing with pin (steel, applies to Kalrez ^{®b} O-rings)	1
	1004-11X ^{e, f, i}	Seal housing with pin (stainless steel, applies to Kalrez ^{®b} O-rings)	1
	1004-2X ^{e, g, i}	Seal housing with pin (steel, applies to PTFE O-rings)	1
	1004-21X ^{e, g, i}	Seal housing with pin (stainless steel, applies to PTFE O-rings)	1
14.	1013 ^e	Housing adjustment shim (.010)	As req.
	1013-1 ^e	Housing adjustment shim (.020)	As req.

Ref No.	Part No.	Description	Qty.
15.	1014	Case clearance shim (.002)	As req.
	1014-1	Case clearance shim (.003)	As req.
16.	2-246_a	Case O-ring (non-PTFE)	1
	2-247E	Case O-ring, PTFE	1
17.	2497	#5 Woodruff key (steel)	1
	2497-1	#5 Woodruff key (stainless steel)	1
18.	1009	Seal drive pin	1
19.	2-224_a	Seal housing O-ring	1
20.	7012-006NC025B	Screw, 6-32 x 1/4" phillip pan head	3

Assembly No.	Assembly Name
113-CX_6 ^{a, d}	Seal assembly with 1007-X, 1008, 1009, 1014, 1014-1, 1080, 2497, 2736, 2737, 2739-X, 2-018, 2-224, 2-246
113-CX_6A ^{a, d}	Seal assembly with 1007-2X, 1008, 1009, 1014, 1014-1, 1080, 2497, 2736, 2737, 2739-X, 2-018, 2-224, 2-246
1007-X	Seal sleeve assembly with 1007, 2734, 2735
1007-2X	Seal sleeve assembly, stainless steel, with 1007-2, 2734, 2735

^a _ denotes material code. See material code chart for details.

^b Registered trademark of the DuPont company.

^c These parts are not available separately.

^d For PTFE fitted seals, O-ring 2-118 is replaced by Coro-Seal 2343-X and rotor 2738 is replaced by 2738-1.

^e Not included in 113-CX.

^f Except PTFE O-rings.

^g Not used with PTFE O-rings.

^h Pin is not required for Buna-N, Neoprene[®], and Viton[®] O-rings.

ⁱ Pin is required for PTFE and Kalrez[®] O-rings.

Material Code	
A	Buna-N
B	Neoprene ^{®b}
D	Viton ^{®b}
E	PTFE
G	Ethylene Propylene
K	Kalrez ^{®b}