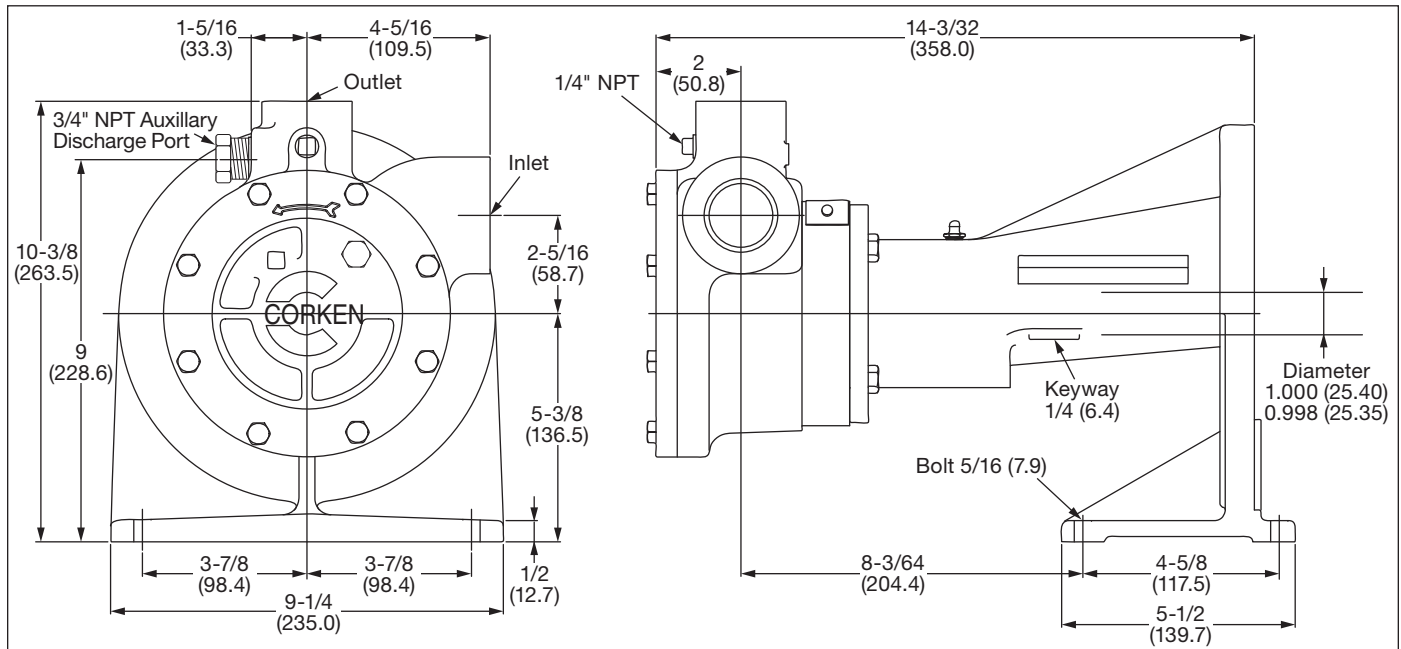


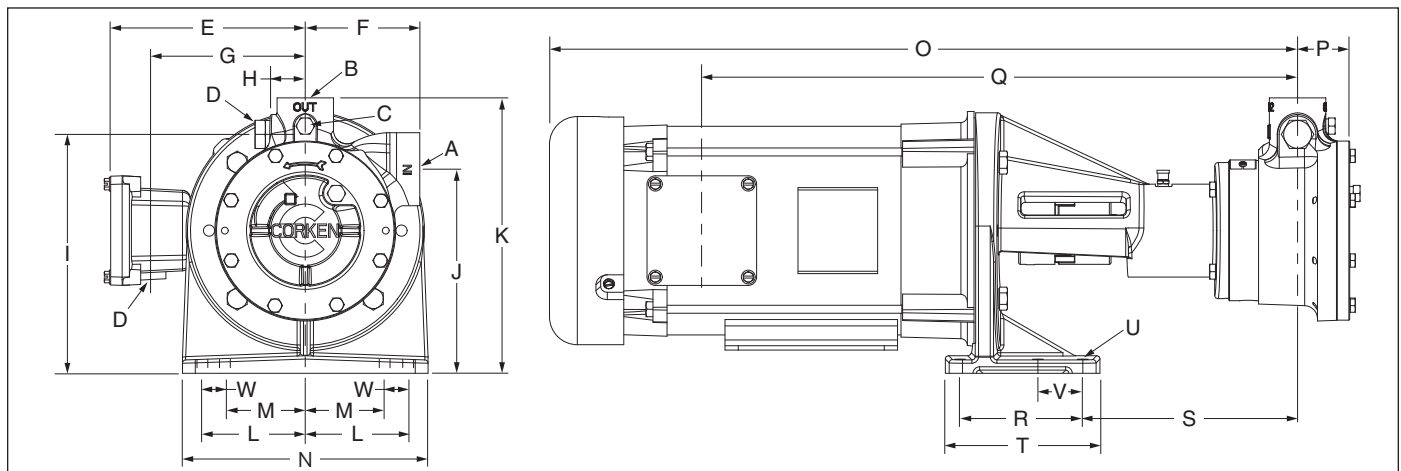
Appendix D—Outline Dimensions for DL-Model (Direct-Mount) Pumps

DL10, DL12, DL13, DL14, DL16, DL17, DL18, and DL19 Model Pumps



Flange Dimensions		
Model	A (inlet)	B (outlet)
DL10, DL16, and DL17	1-1/4" NPT	1" NPT
DL12, DL13, DL14, DL18, and DL19	1-1/2" NPT	1" NPT

Models DL16, DL17, DL18, and DL19



3 Hp Motor for Models DL16 and DL17 Only (Single and Three Phase—60 Hz)

Motor Phase	A	B	C	D	E	F	G	H	I	J	K	L	M	N	O	P	Q	R	S	T	U	V	W
Single	Inlet: 1-1/4" NPT	Outlet: 1" NPT	1/4" NPT	3/4" NPT	7-9/16 (192.1)	4-5/16 (109.5)	6 (152.4)	1-5/16 (33.3)	9 (228.6)	7-11/16 (195.3)	10-3/8 (263.5)	3-7/8 (98.4)	2-3/8 (60.33)	9-1/4 (235.0)	28-3/16 (716.0)	2 (50.8)	22-7/16 (569.9)	4-5/8 (117.5)	8-3/16 (208.0)	5-13/16 (147.6)	Bolt: 13/32 (10.3)	2-1/16 (52.39)	1-1/2 (38.10)
Three	Inlet: 1-1/4" NPT	Outlet: 1" NPT	1/4" NPT	3/4" NPT	9-3/8 (238.1)	4-5/16 (109.5)	6-7/16 (163.5)	1-5/16 (33.3)	9 (228.6)	7-11/16 (195.3)	10-3/8 (263.5)	3-7/8 (98.4)	2-3/8 (60.33)	9-1/4 (235.0)	24-3/16 (614.4)	2 (50.8)	17-1/16 (433.4)	4-5/8 (117.5)	8-3/16 (208.0)	5-13/16 (147.6)	Bolt: 13/32 (10.3)	2-1/16 (52.39)	1-1/2 (38.10)

5 Hp Motor for Models DL18 and DL19 Only (Single and Three Phase—60 Hz)

Motor Phase	A	B	C	D	E	F	G	H	I	J	K	L	M	N	O	P	Q	R	S	T	U	V	W
Single	Inlet: 1-1/2" NPT	Outlet: 1" NPT	1/4" NPT	3/4" NPT	8-3/8 (212.7)	4-5/16 (109.5)	6-13/16 (173.0)	1-5/16 (33.3)	9 (228.6)	7-11/16 (195.3)	10-3/8 (263.5)	3-7/8 (98.4)	2-3/8 (60.33)	9-1/4 (235.0)	29-3/16 (741.4)	2 (50.8)	22-3/4 (577.9)	4-5/8 (117.5)	8-3/16 (208.0)	5-13/16 (147.6)	Bolt: 13/32 (10.3)	2-1/16 (52.39)	1-1/2 (38.10)
Three	Inlet: 1-1/2" NPT	Outlet: 1" NPT	1/4" NPT	3/4" NPT	8-11/16 (220.7)	4-5/16 (109.5)	6-7/16 (163.5)	1-5/16 (33.3)	9 (228.6)	7-11/16 (195.3)	10-3/8 (263.5)	3-7/8 (98.4)	2-3/8 (60.33)	9-1/4 (235.0)	25-1/2 (647.7)	2 (50.8)	17-11/16 (449.3)	4-5/8 (117.5)	8-3/16 (208.0)	5-13/16 (147.6)	Bolt: 13/32 (10.3)	2-1/16 (52.39)	1-1/2 (38.10)

All dimensions are in inches (millimeters). Motor dimensions are for reference only.