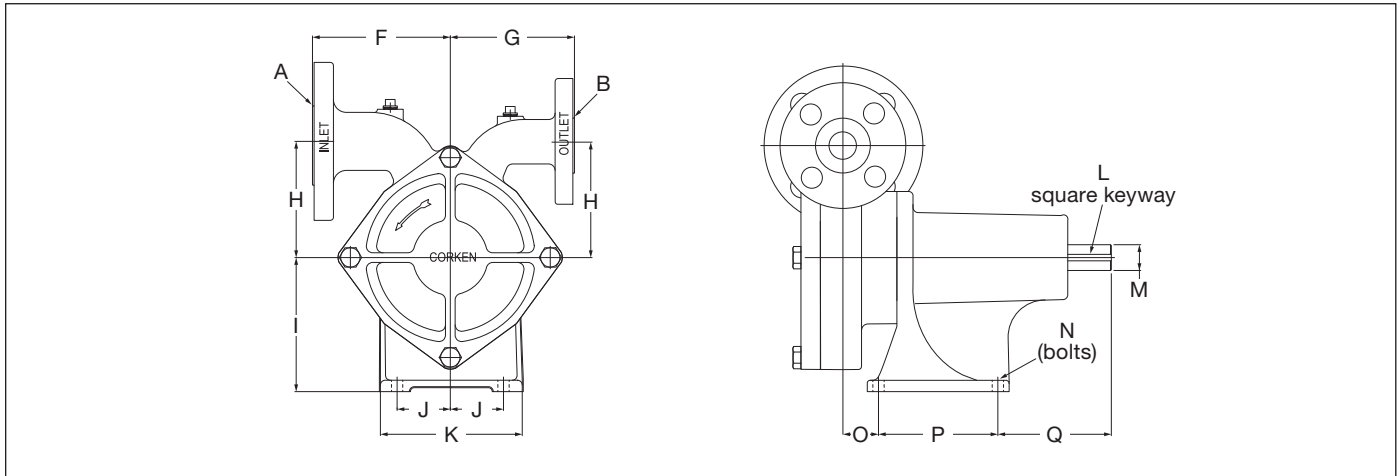
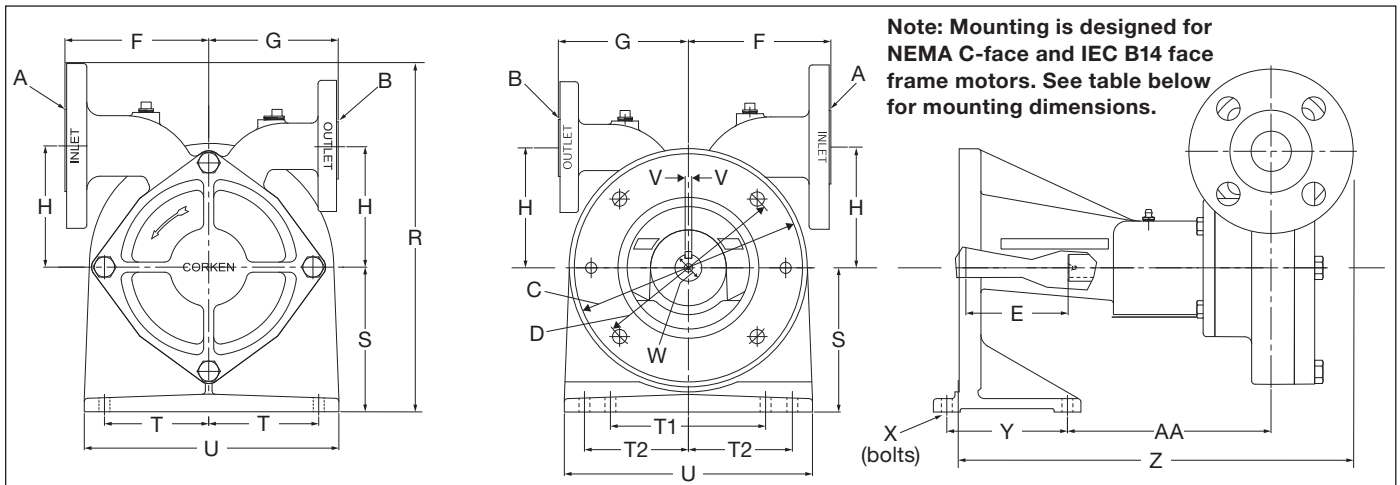


Appendix D—Outline Dimensions for Models 060, 075, and 150 Coro-Flo® Pumps

Frame Mount ASME Class 300 RF (ANSI) Flange (FF) and DIN Flange (FD)



Direct Mount ASME Class 300 RF (ANSI) Flange (DLF) and DIN Flange (DLD)



Flange Dimensions		
Model	A (inlet)	B (outlet)
All models FF and DLF	1-1/2" ASME Class 300 RF	1" ASME Class 300 RF
All models FD and DLD	DIN 2635, 40 PN, 40 mm	DIN 2635, 40 PN, 25 mm

Motor Mounting Dimensions			
Type	C	D	E
NEMA	8-1/2"	7-1/4"	3-13/16"
IEC	165 mm	130 mm	90.75 mm

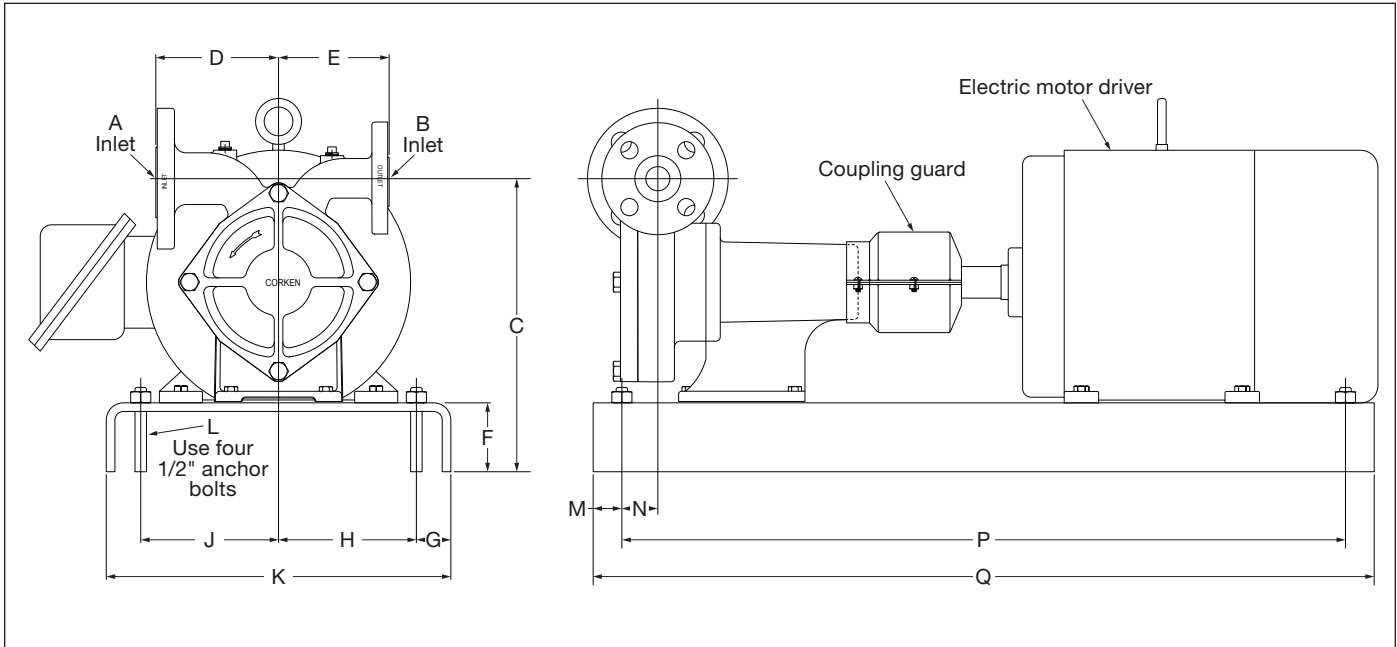
F	G	H	I	J	K	L	M	N	O	P
5-5/16 (135.7)	4-13/16 (122.3)	4-1/2 (114.3)	5-13/64 (132.0)	2-1/16 (52.4)	5-1/2 (139.7)	1/4 (6.3)	1 diameter (25.4)	5/16 bolts (7.9)	1-3/8 (35.0)	4-5/8 (117.5)

Q	R	S	T1	T2	U	V	W	X	Y	Z	AA
4-3/8 (111.8)	12-15/16 (328.6)	5-3/8 (136.5)	4-3/4 (120.6)	3-7/8 (98.4)	9-1/4 (235.0)	1/4 (6.3)	1 (25.4)	5/16 bolts (7.9)	4-1/2 (114.2)	14-3/8 (365.1)	7-19/32 (192.7)

All dimensions are in inches (millimeters).

Appendix D—Outline Dimensions for Models 060, 075, and 150 Coro-Flo® Pumps

Frame Mount ASME Class 300 RF (ANSI) Flange (FF) and DIN Flange (FD) with -101 Mounting



Flange Dimensions		
Model	A (inlet)	B (outlet)
FF060, FF075, and FF150	1-1/2" ASME Class 300 RF	1" ASME Class 300 RF
FD060, FD075, and FD150	DIN 2635, 40 PN, 40 mm	DIN 2635, 40 PN, 25 mm

C Dimensions All Models	
182T–215T Frame	12-3/4" (32.40)
254T–256T Frame	13-3/4" (34.94)

Outline Dimensions for 182T–256T Frame											
D	E	F	G	H	J	K	L	M	N	P	Q
5-11/32 (135.7)	4-13/16 (122.3)	3 (76.2)	1-1/2 (38.1)	6 (152.4)	6 (152.4)	15 (381.0)	1/2 bolts (12.7)	1-1/4 (31.7)	1-9/16 (39.7)	31-1/2 (800.1)	34 (863.6)

All dimensions are in inches (millimeters).