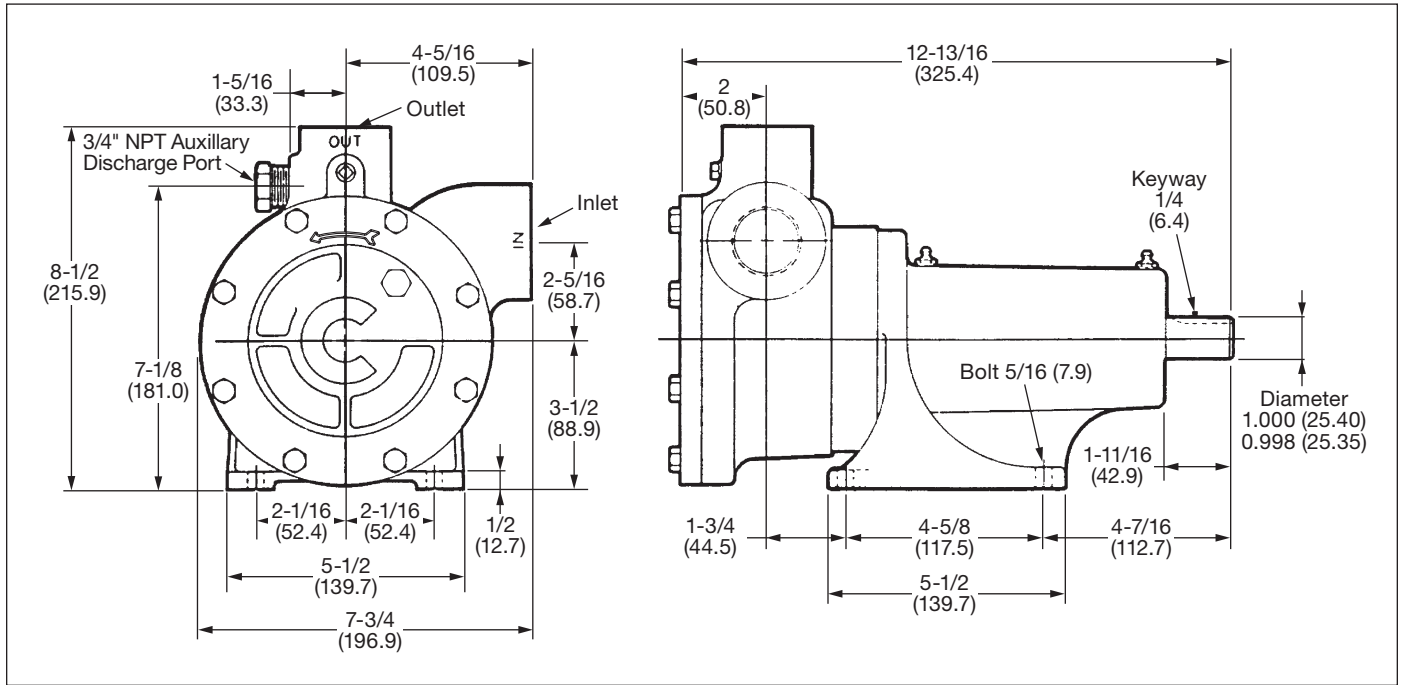


# Appendix D—Outline Dimensions for F-Model (Frame-Mount) Pumps

## F10, F12, F13, F14, F16, F17, F18, and F19 Model Pumps

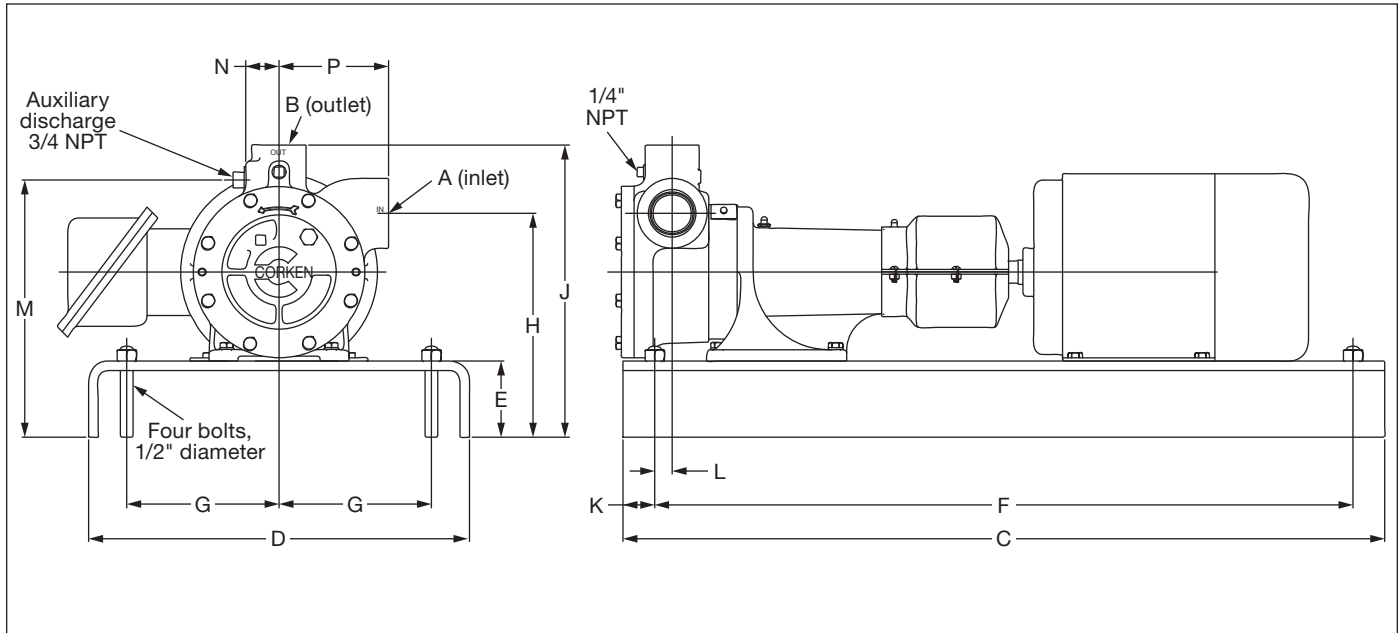


Model	Flange Dimensions	
	A (inlet)	B (outlet)
F10, F16, and F17	1-1/4" NPT	1" NPT
F12, F13, F14, F18, and F19	1-1/2" NPT	1" NPT

All dimensions are in inches (millimeters).

# Appendix D—Outline Dimensions for F-Model (Frame-Mount) Pumps with -101 Mounting

F10-101, F12-101, F13-101, F14-101, F16-101, F17-101, F18-101, and F19-101 Model Pumps



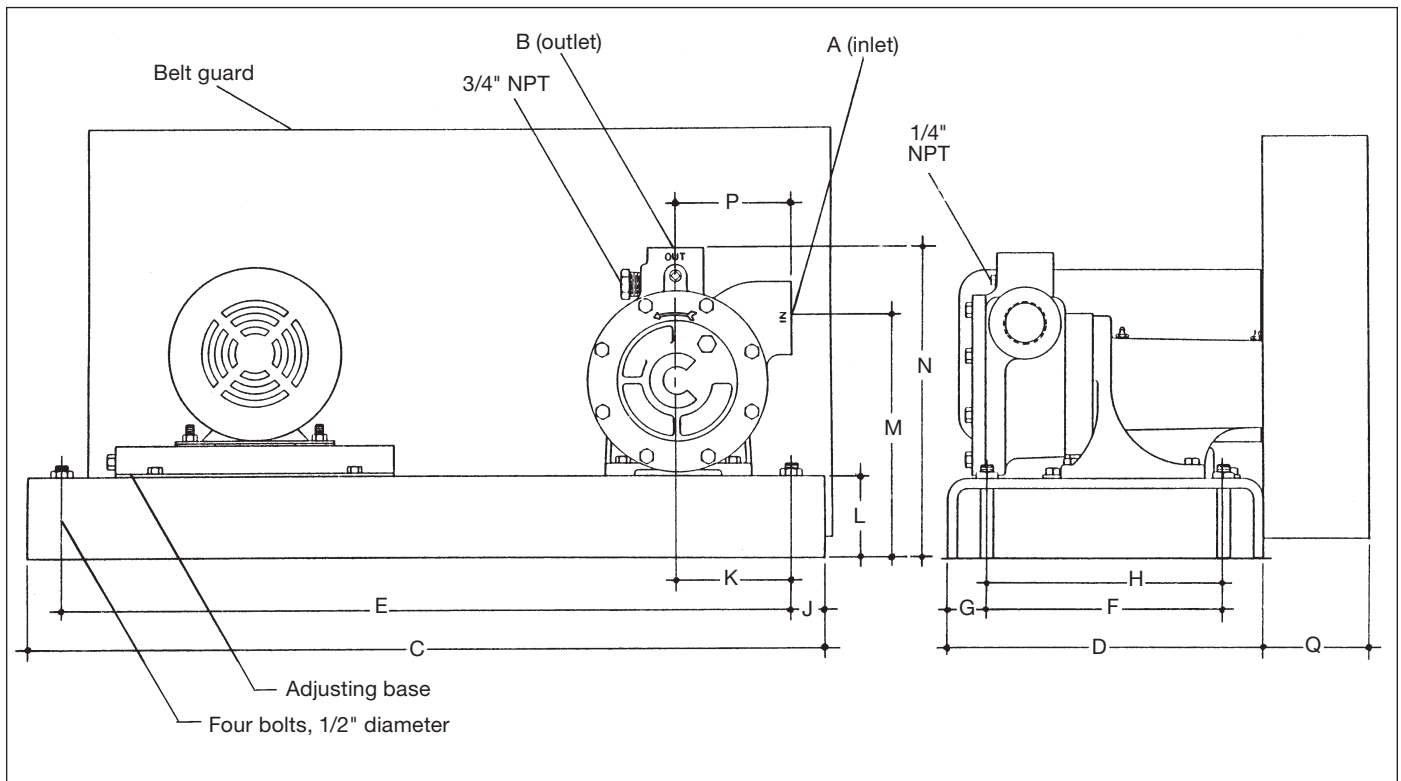
Flange Dimensions		
Model	A (inlet)	B (outlet)
F10, F16, and F17	1-1/4" NPT	1" NPT
F12, F13, F14, F18, and F19	1-1/2" NPT	1" NPT

Mounting Dimensions												
Motor Frame	C	D	E	F	G	H	J	K	L	M	N	P
56	22 (558.8)	10 (254.0)	2-1/2 (63.5)	20 (508.0)	4 (101.6)	8-1/4 (209.6)	11 (279.4)	1 (25.4)	11/16 (17.5)	10-1/8 (257.2)	1-5/16 (33.3)	4-5/16 (109.5)
66	30 (762.0)	15 (381.0)	3 (76.2)	27-1/2 (698.5)	6 (152.4)	9-3/8 (238.1)	12-1/8 (308.0)	1-1/4 (31.8)				
143T, 145T						8-13/16 (223.8)	11-1/2 (292.1)					
182T, 184T						9-3/4 (247.7)	12-1/2 (317.5)					
213T, 215T						10-1/2 (266.7)	13-1/4 (336.6)					
254U	34 (863.6)			31-1/2 (800.1)		11-1/2 (292.1)	14-1/4 (362.0)					

All dimensions are in inches (millimeters).

# Appendix D—Outline Dimensions for F-Models (Frame-Mount) Pumps with -103 Mounting

F10-103, F12-103, F13-103, F14-103, F16-103, F17-103, F18-103, and F19-103 Model Pumps



Flange Dimensions		
Model	A (inlet)	B (outlet)
F10, F16, and F17	1-1/4" NPT	1" NPT
F12, F13, F14, F18, and F19	1-1/2" NPT	1" NPT

Mounting Dimensions													
Motor Frame	C	D	E	F	G	H	J	K	L	M	N	P	Q
56, 66, 143T, 145T, 182T, 184T, 213T, 215T	30 (762.0)	12 (304.8)	27-1/2 (698.5)	9 (228.6)	1-1/2 (38.1)	7-9/16 (192.1)	1-1/4 (31.8)	4-1/4 (108.0)	3 (76.2)	8-3/4 (222.3)	11-1/2 (292.1)	4-5/16 (109.5)	5 (127.0)
254U													
256U	34 (863.6)	15 (381.0)	31-1/2 (800.1)	12 (304.8)									

All dimensions are in inches (millimeters).