

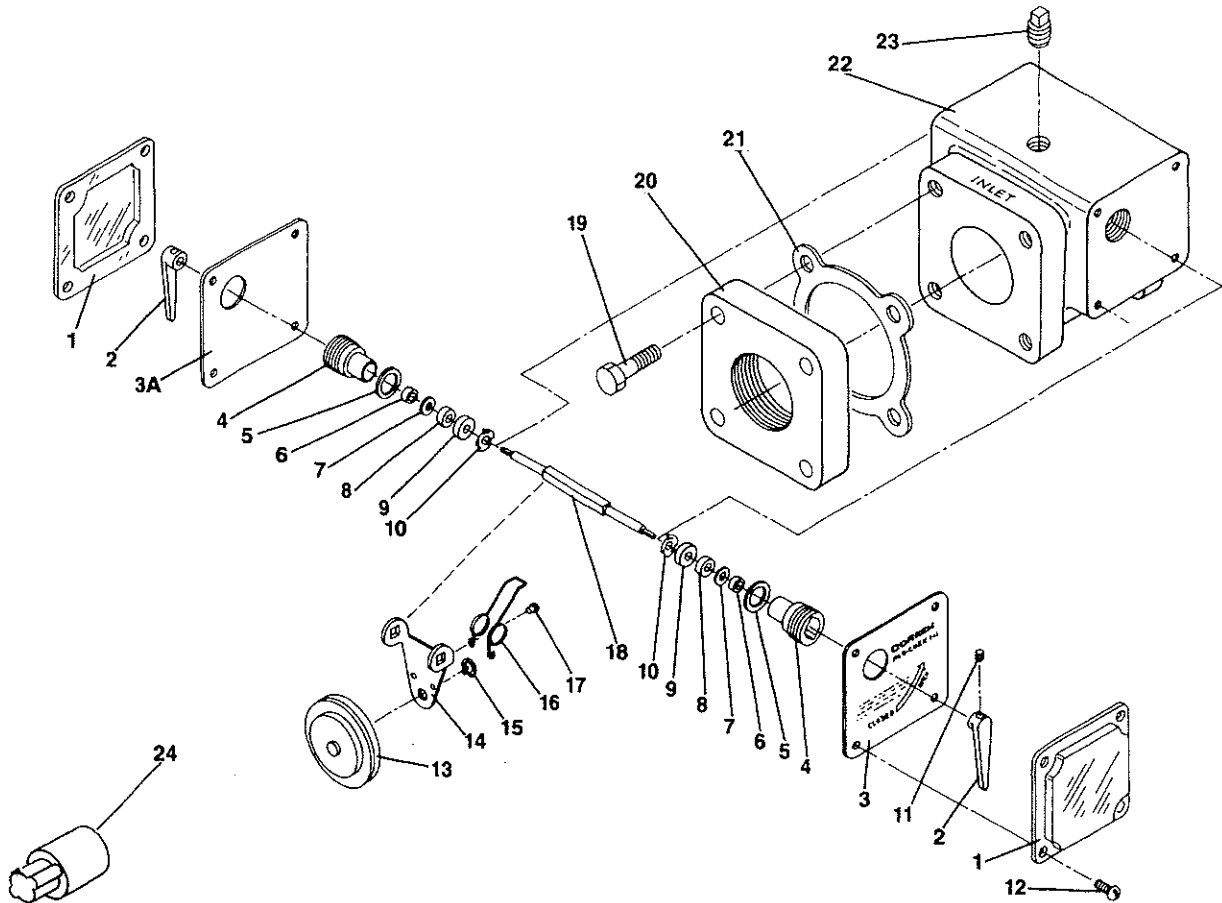
FLO-CHECK VALVE
MODELS FC125 AND FC150

SERVICE
PAGE

MANUAL
H104H

JUNE
SUPERSEDES

1995
H104G



REF NO.	PART NO.	DESCRIPTION
1.	3336	Lens
2.	3338	Pointer
3.	3363	Nameplate
	3364	Nameplate
4.	3356	Seal Gland
5.	3340	Gasket
6.	3357-X	Seal (Small)
7.	3342	Seal Washer
8.	3359-X	Seal (Large)
9.	3343	Spacer
10.	3341	Spacer
11.	7006-006NC019A	Socket Set Screw, 6-32 x 3/16"
12.	7012-010NC025B	Rd Hd Screw, 10-24 x 1/4" Pltd
13.	1966-X	Flapper Assembly
*	1966-X1	Flapper Assembly (TFE)
14.	3334-X	Hinge Assembly (Includes 3469 and 7003-004DR019B)
15.	5100-25	Retainer Ring
16.	3469	Torsion Spring
17.	7003-004DR019B	Round Head Drive Screw

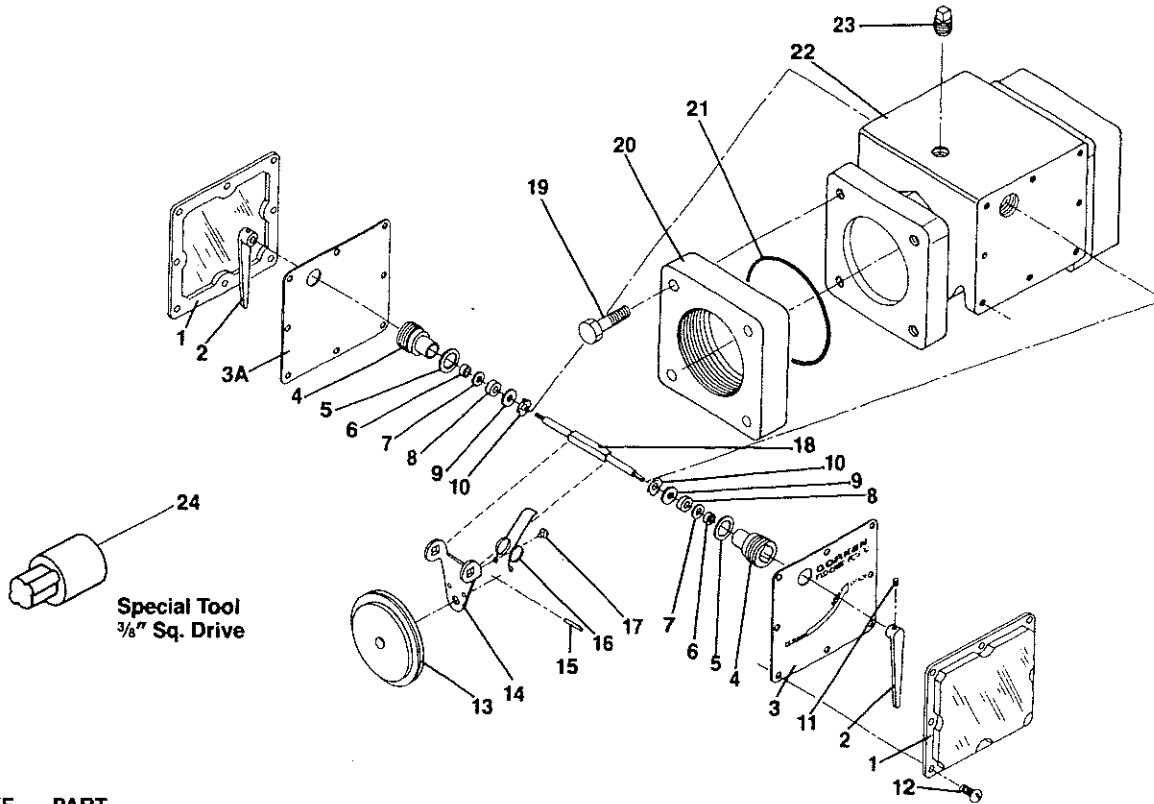
REF NO.	PART NO.	DESCRIPTION
18.	3345	Stem
19.	7001-37NC150A	Hex Hd Cap Screw, 3/8-16 x 1 1/2", Gr 5
20.	1951-1.25	Flange - 1 1/4" NPT (Model FC125)
	1951-1.50	Flange - 1 1/2" NPT (Model FC150)
21.	2010	Flange Gasket
22.	3337	Body
23.	3442	Pipe Plug - 1/4" NPT
24.	3432	Special Tool - 3/8" Sq. Drive

*Optional Equipment

NOTE: Use Special Tool, Corken Part No. 3432, for service and repair.

CAUTION: Always Relieve Pressure In The Unit Before Attempting Any Repairs.

FLO-CHECK VALVE
MODELS FC200, FC250, FC300, FC400



REF NO.	PART NO.	DESCRIPTION
1.	3325	Lens
2.	3339	Pointer
3.	3361	Nameplate
	3362	Nameplate
4.	3356	Seal Gland
5.	3340	Gasket
6.	3357-X	Seal (Small)
7.	3342	Seal Washer
8.	3359-X	Seal (Large)
9.	3344	Spacer FC300/400
	3343	Spacer FC200/250
10.	3341	Finger Spring
11.	7006-006NC019A	Socket Set Screw, 6-32 x 3/16"
12.	7012-010NC025B	Rd Hd Screw, 10-24 x 1/4" Pltd
13.	2073-X	Flapper Assembly (Models FC300, FC400)
*	2073-X1	Flapper Assembly (TFE) (Models FC300, FC400)
	2078-X	Flapper Assembly (Models FC200, FC250)
*	2078-X1	Flapper Assembly (TFE) (Models FC200, FC250)
14.	3335-X	Hinge Assembly (Includes 3470 and 7003-004DR019B)
15.	1807	Lock Pin
16.	3470	Torsion Spring
17.	7003-004DR019B	Round Head Drive Screw
18.	3346	Stem (Models FC200, FC250)
	3347	Stem (Models FC300, FC400)
19.	7001-037NC150A	Hex Hd Cap Screw, 3/8-16 x 1 1/2", Gr 5

REF NO.	PART NO.	DESCRIPTION
20.	1172-2	Flange - 2" NPT (Model FC200)
*	1172-2S	Flange - 2" Welded (Model FC200)
	1172-2.5	Flange - 2 1/2" NPT (Model FC250)
*	1172-2.5S	Flange - 2 1/2" Welded (Model FC250)
	1206-3	Flange - 3" NPT (Model FC300)
*	1206-3S	Flange - 3" Welded (Model FC300)
	1206-4	Flange - 4" NPT (Model FC400)
*	1206-4S	Flange - 4" Welded (Model FC400)
21.	2-234	O-Ring (Models FC200, FC250)
	2-245	O-Ring (Model FC300)
	2-249	O-Ring (Model FC400)
22.	3324	Body (Models FC200, FC250)
	3326	Body (Models FC300, FC400)
23.	3442	Pipe Plug - 1/4" NPT
24.	3432	Special Tool

*Optional Equipment

NOTE: Use Special Tool, Corken Part No. 3432, for service and repair. For O-Ring Material Coding See A500.

CAUTION: Always Relieve Pressure In The Unit Before Attempting Any Repairs.