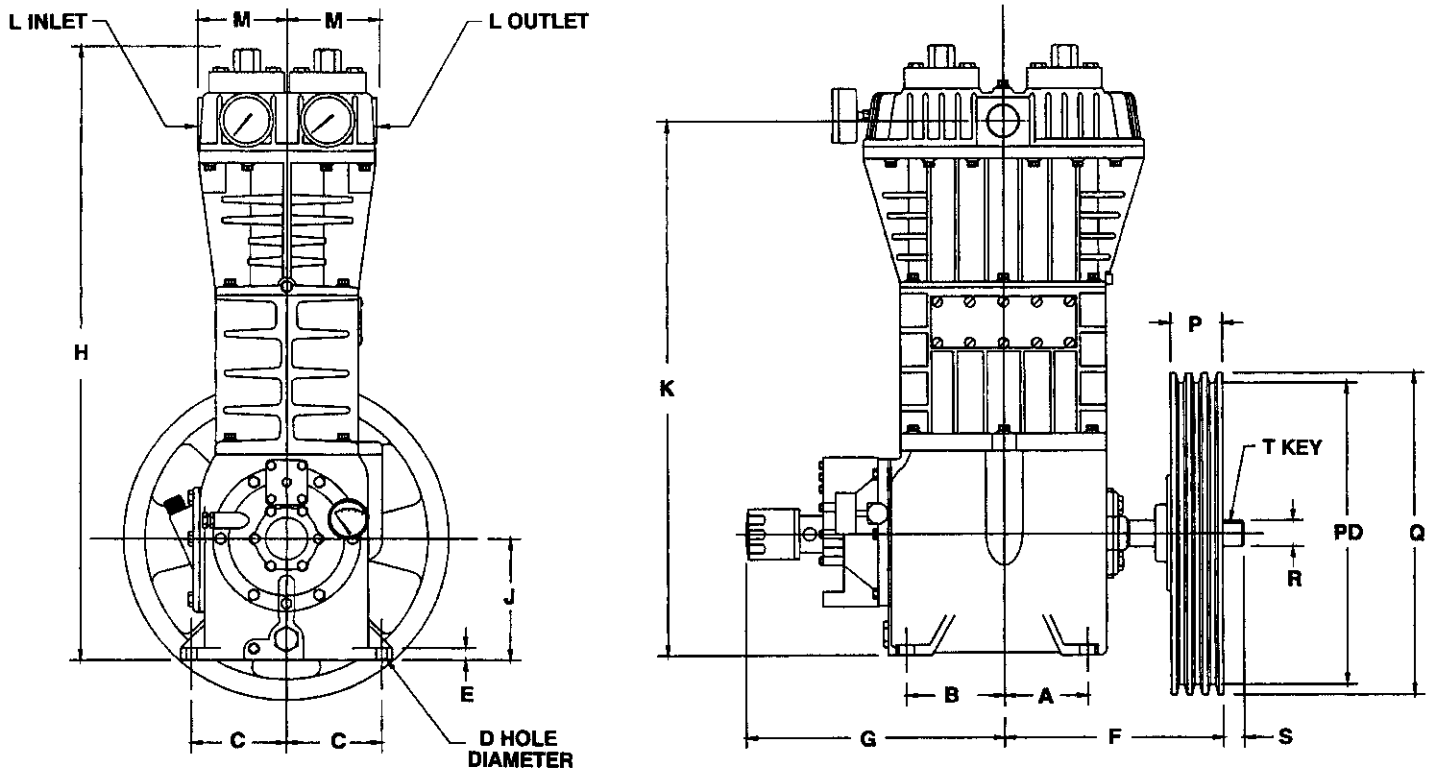


MODELS 91, 291, 491, 691  
OUTLINE DIMENSIONS

MAY 1996  
SUPERSEDES VE300G



DIMENSIONS IN INCHES (CENTIMETERS)										
MODEL NO.	A	B	C	D	E	F	G	H	J	K
91	1 <sup>13</sup> / <sub>16</sub> (4.6)	2 <sup>5</sup> / <sub>8</sub> (6.0)	3 <sup>11</sup> / <sub>16</sub> (9.4)	1 <sup>3</sup> / <sub>32</sub> (1.03)	5/ <sub>8</sub> (1.59)	6 <sup>1</sup> / <sub>4</sub> (15.9)	3 <sup>7</sup> / <sub>8</sub> (9.8)	25 <sup>5</sup> / <sub>16</sub> (64.3)	5 (12.7)	22 <sup>11</sup> / <sub>16</sub> (57.6)
291	3 <sup>3</sup> / <sub>8</sub> (8.6)	4 <sup>1</sup> / <sub>8</sub> (10.5)	3 <sup>11</sup> / <sub>16</sub> (9.4)	1 <sup>3</sup> / <sub>32</sub> (1.03)	5/ <sub>8</sub> (1.59)	9 <sup>13</sup> / <sub>16</sub> (24.9)	12 (30.5)	25 <sup>13</sup> / <sub>16</sub> (65.7)	5 <sup>3</sup> / <sub>8</sub> (13.6)	23 <sup>7</sup> / <sub>16</sub> (59.5)
491	4 <sup>1</sup> / <sub>8</sub> (10.4)	5 (12.7)	4 <sup>11</sup> / <sub>16</sub> (11.9)	1/2 (1.27)	1 <sup>1</sup> / <sub>16</sub> (1.75)	10 <sup>11</sup> / <sub>16</sub> (27.2)	13 (33.0)	29 <sup>3</sup> / <sub>4</sub> (75.6)	5 <sup>7</sup> / <sub>8</sub> (14.9)	26 <sup>3</sup> / <sub>16</sub> (66.5)
691	4 <sup>3</sup> / <sub>4</sub> (12.1)	5 (13.9)	5 <sup>3</sup> / <sub>8</sub> (13.6)	9/ <sub>16</sub> (1.40)	1 (2.54)	14 (35.6)	14 <sup>7</sup> / <sub>16</sub> (36.7)	39 <sup>3</sup> / <sub>16</sub> (99.5)	8 <sup>1</sup> / <sub>4</sub> (21.0)	35 <sup>5</sup> / <sub>8</sub> (89.2)

MODEL NO.	L	M	P	Q	R	S*	T	"PD" FLYWHEEL PITCH DIA.			
								A-BELT GROOVE	B-BELT GROOVE	B-BELT GROOVE	B-BELT GROOVE
91	3/4 NPT	2 <sup>5</sup> / <sub>8</sub> (6.0)	3 (7.6)	14 (35.6)	1 <sup>1</sup> / <sub>8</sub> (2.8)	1 <sup>1</sup> / <sub>4</sub> (3.2)	1/4 (0.63)	13.2 (33.5)	2	13.6 (34.5)	2
291	3/4 NPT	2 <sup>11</sup> / <sub>16</sub> (6.8)	3 (7.6)	16 (40.6)	1 <sup>1</sup> / <sub>4</sub> (3.2)	1 <sup>1</sup> / <sub>4</sub> (3.2)	1/4 (0.63)	15.2 (38.6) 13.2* (33.5)	3 2	15.6 (39.6) 13.6* (34.5)	3 2
491	1 <sup>1</sup> / <sub>4</sub> NPT	4 (10.2)	3 (7.6)	16 (40.6) 14* (35.6)	1 <sup>3</sup> / <sub>8</sub> (3.5)	1 <sup>1</sup> / <sub>4</sub> (3.2)	5/ <sub>16</sub> (0.79)	15.2 (38.6) 13.2* (33.5)	3 2	15.6 (39.6) 13.6* (34.5)	3 2
691	2** NPT	6 <sup>3</sup> / <sub>8</sub> (16.2)	3 <sup>3</sup> / <sub>4</sub> (9.5)	19 <sup>1</sup> / <sub>2</sub> (49.5)	2 <sup>1</sup> / <sub>8</sub> (29.7)	-	1/2 (1.27)	-	-	19.1 (48.6)	4

DIMENSIONS ARE APPROXIMATE — CERTIFIED PRINTS AVAILABLE ON REQUEST

\* = OPTIONAL

\*\* = OPTIONAL: 1<sup>1</sup>/<sub>2</sub> OR 1<sup>1</sup>/<sub>4</sub>" NPT, 1<sup>1</sup>/<sub>4</sub>, 1<sup>1</sup>/<sub>2</sub>, 2" WELD FLANGES