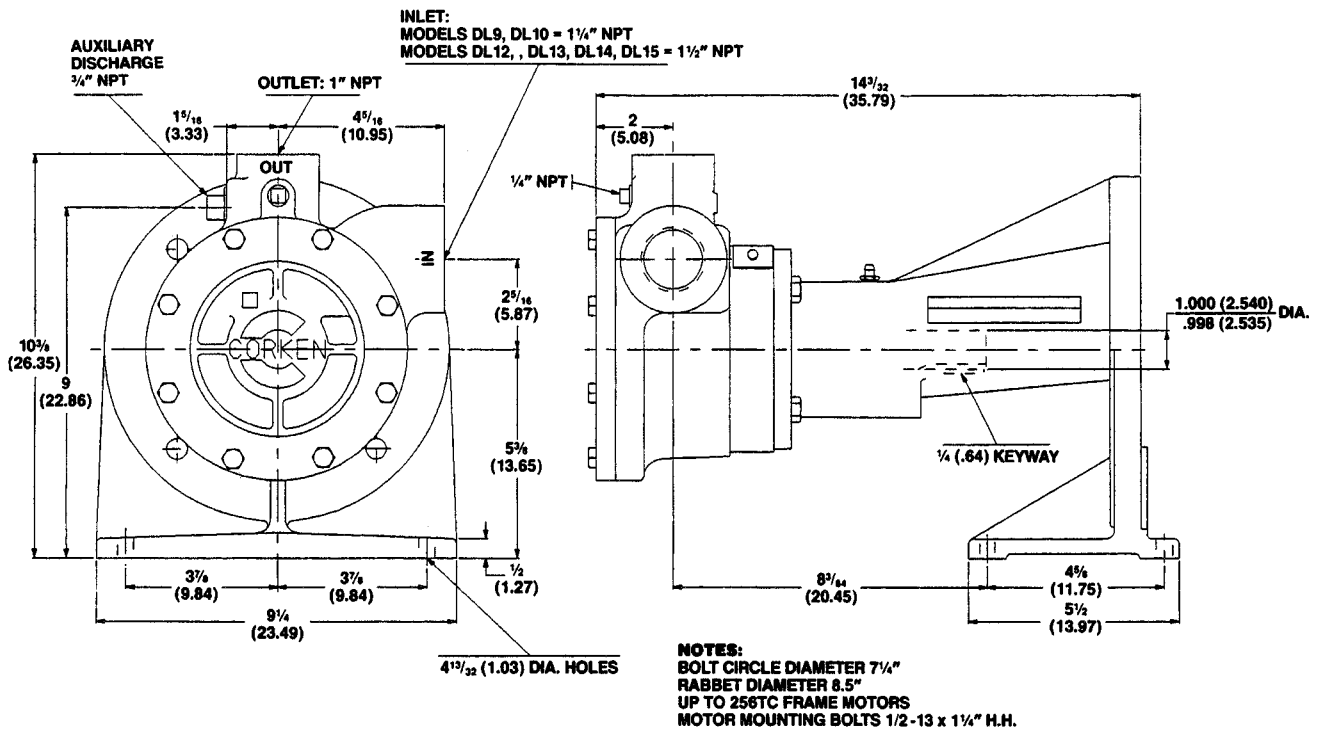


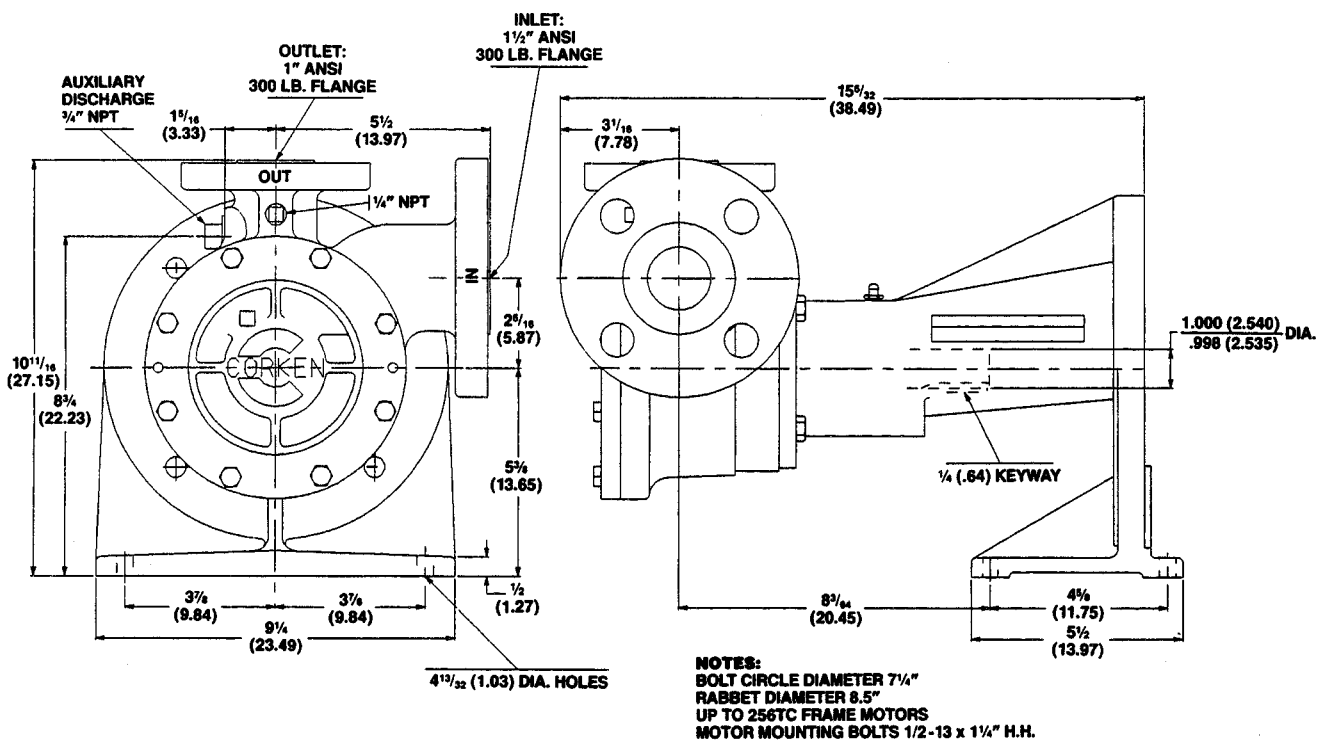
**DIRECT MOUNTED  
OUTLINE DIMENSIONS**

APRIL 1996  
SUPERSEDES VF303

**DL9 - DL15**



**DLF9 - DLF15**



**DIMENSIONS IN INCHES (CENTIMETERS)**