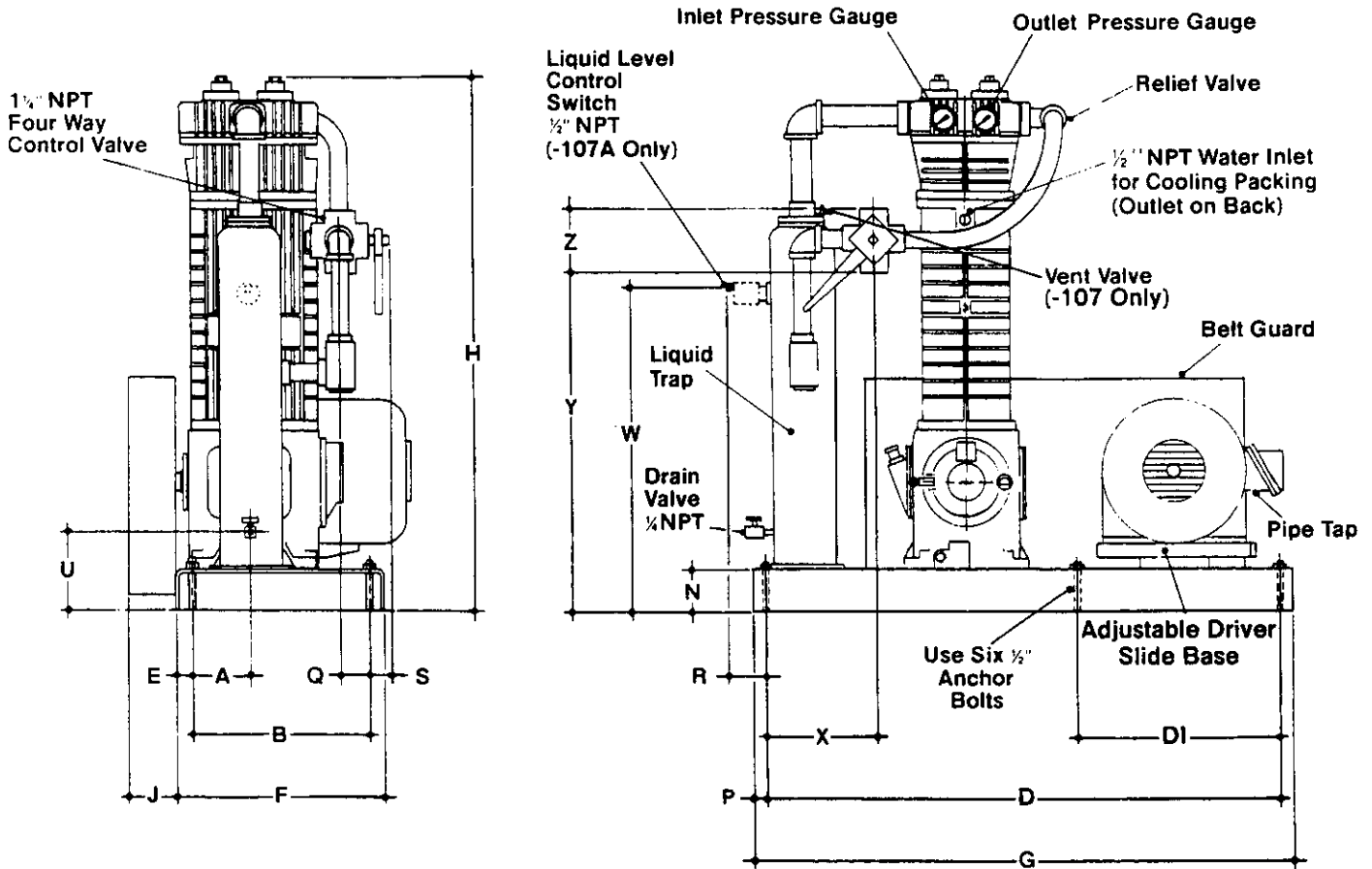


**MODELS D690, D690-4, D691
MOUNTING STYLES -107, -107A
OUTLINE DIMENSIONS**

JUNE 1984
SUPERSEDES EE312



DIMENSIONS IN INCHES (CENTIMETERS)

Model No.	A	B	D	DI	E	F	G	H	J	N	P	Q	R	S	U	W	X	Y	Z
D690-107 D690-4-107 D691-107	5 3/4 (14.6)	17 (43.2)	49 3/4 (125)	19 3/4 (50.2)	1 1/2 (3.81)	20 (50.8)	52 (132)	51 1/8 (130)	5 (12.7)	4 (10.2)	1 1/4 (3.18)	2 (6.98)	— — —	2 (5.40)	7 (19.7)	— — —	10 1/2 (26.7)	32 1/4 (81.9)	6 (15.2)
D690-107A D690-4-107A D691-107A													2 1/8 (5.56)			29 (73.7)			