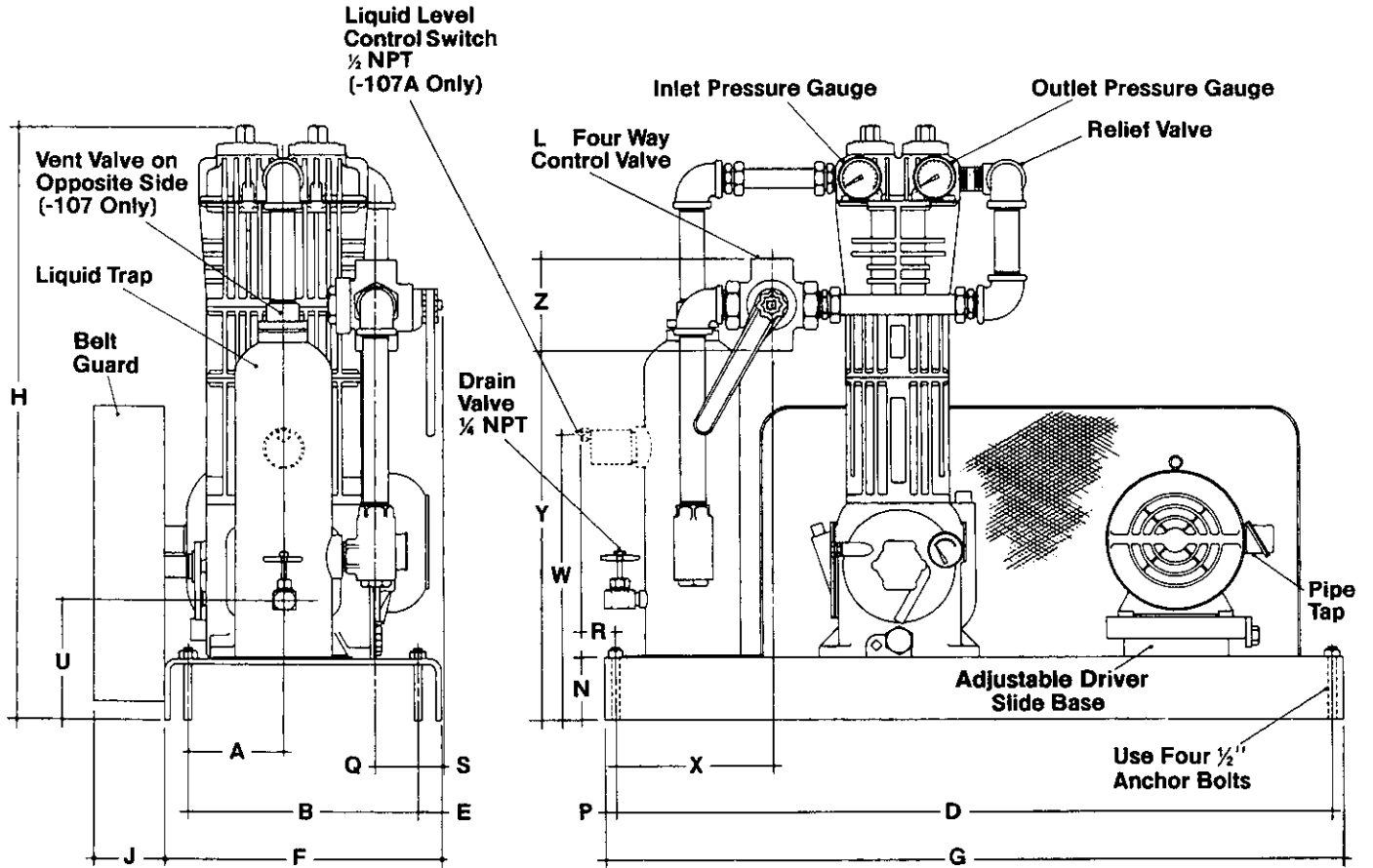


**MODELS D91, T91, D291, T291, D491, D491-3, T491**  
**MOUNTING STYLES - 107, -107A**  
**OUTLINE DIMENSIONS**

MAY 1997

SUPERSEDES EE302A



MODEL NO.	A	B	D	E	F	G	H	J	L	N	P	Q	R	S	U	W	X	Y	Z
D91-107	5	12	31 1/2	1 1/2	15	34	32 9/16 (82.1)	4	1	3	1 1/4	0	3 7/8	4 1/2	6 3/4	17 1/8	8 9/16	17 7/8	4 9/16
D91-107A	(12.7)	(30.4)	(80.0)	(3.81)	(38.1)	(86.4)	36 5/16 (92.2)	(10.2)	NPT	(7.62)	(3.18)	(0.00)	(9.24)	(11.4)	(17.2)	(43.5)	(21.7)	(45.4)	(10.6)
T91-107																			
T91-107A																			
D291-107	5	12	39 1/2	1 1/2	15	42	32 3/4 (83.1)	4 1/2	1	3	1 1/4	0	4 3/16	4 1/2	6 3/4	17 3/8	9 1/4	19 3/4	4 3/8
D291-107A	(12.7)	(30.4)	(100)	(3.81)	(38.1)	(107)	36 1/4 (93.3)	(11.4)	NPT	(7.62)	(3.18)	(0.00)	(10.6)	(11.4)	(17.2)	(43.5)	(23.4)	(50.2)	(11.1)
T291																			
D491-107	5 3/4	15	45 1/2	1 1/2	18	48	38 5/8 (97.4)	4 1/2	1 1/4	4	1 1/4	2 3/4	4	1 1/8	7 3/4	18 1/8	9 3/4	23 3/4	6
D491-107A	(14.6)	(38.1)	(116)	(3.81)	(45.7)	(122)	43 1/8 (110)	(11.4)	NPT	(10.2)	(3.18)	(6.99)	(10.2)	(4.76)	(19.7)	(46.1)	(24.7)	(60.3)	(15.2)
T491-107																		28 1/2	
T491-107A																		(75.4)	