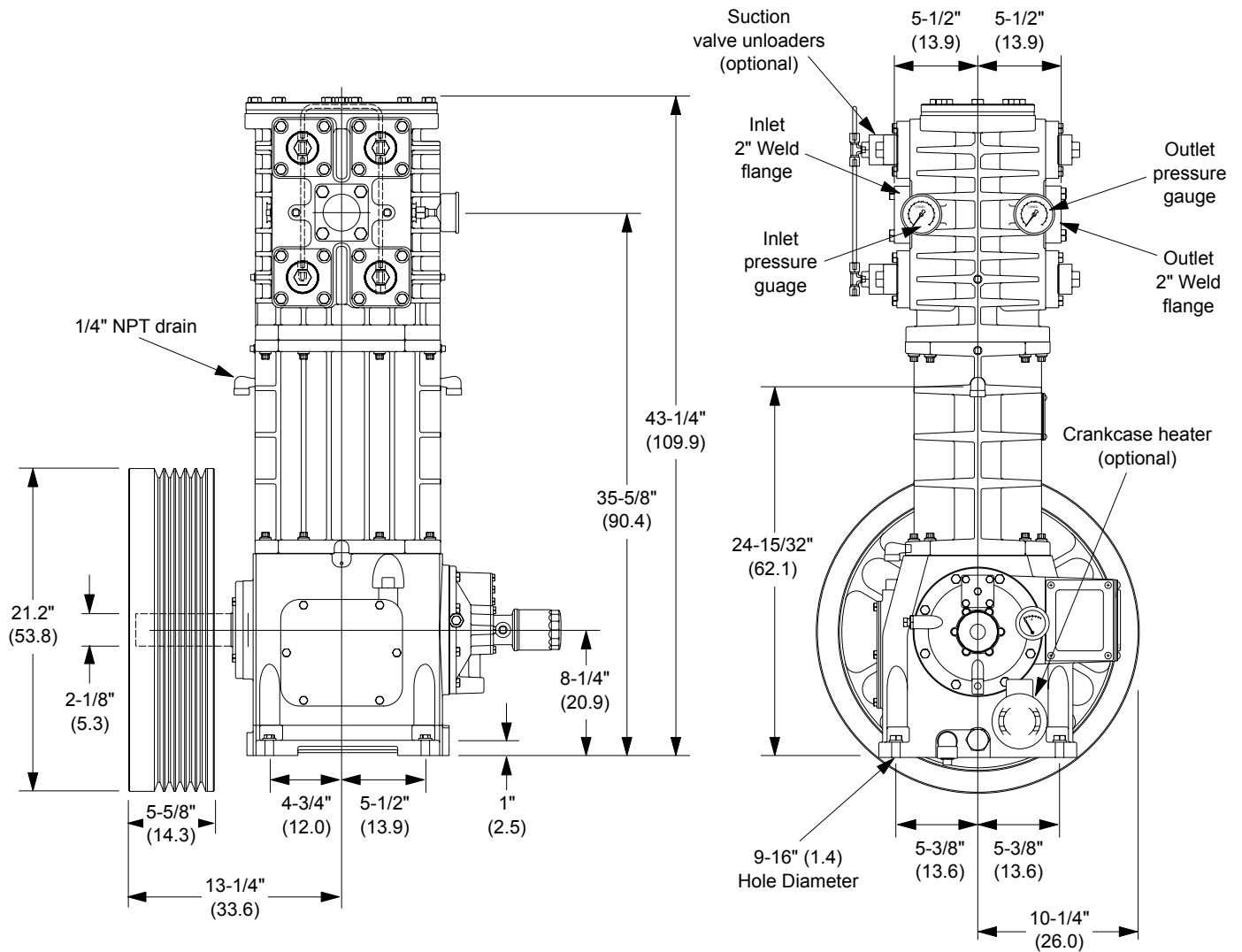


Appendix C—Outline Dimensions

Model D891 Bare with Flywheel



Inches (Centimeters)