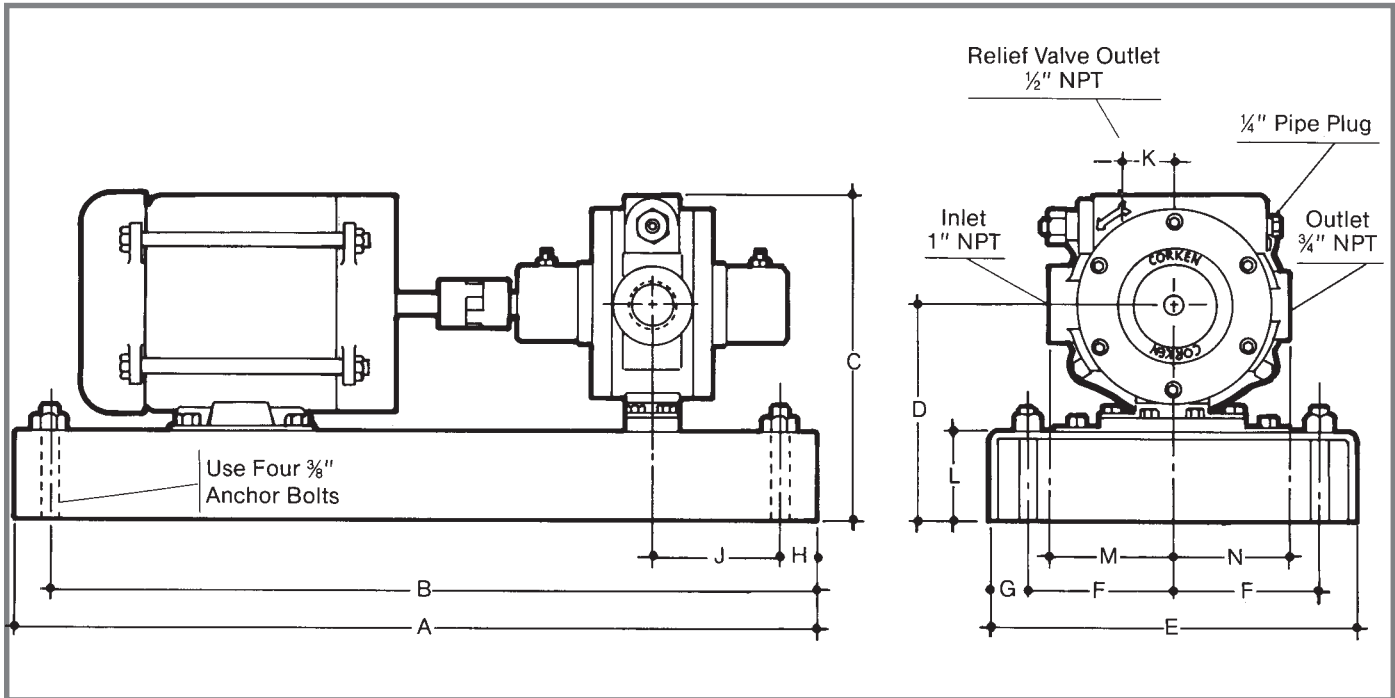


Small Stationary Pumps—Outline Dimensions

F51-101 Model



Outline Dimensions—Inches (Centimeters)													
Model	A	B	C	D	E	F	G	H	J	K	L	M	N
F51-	22	20	9	6	10	4	1	1	3-1/2	1-7/16	2-1/2	3-3/8	3-3/16
101	(55.9)	(50.8)	(22.9)	(15.2)	(25.4)	(10.2)	(2.54)	(2.54)	(8.89)	(3.65)	(6.35)	(8.57)	(8.10)