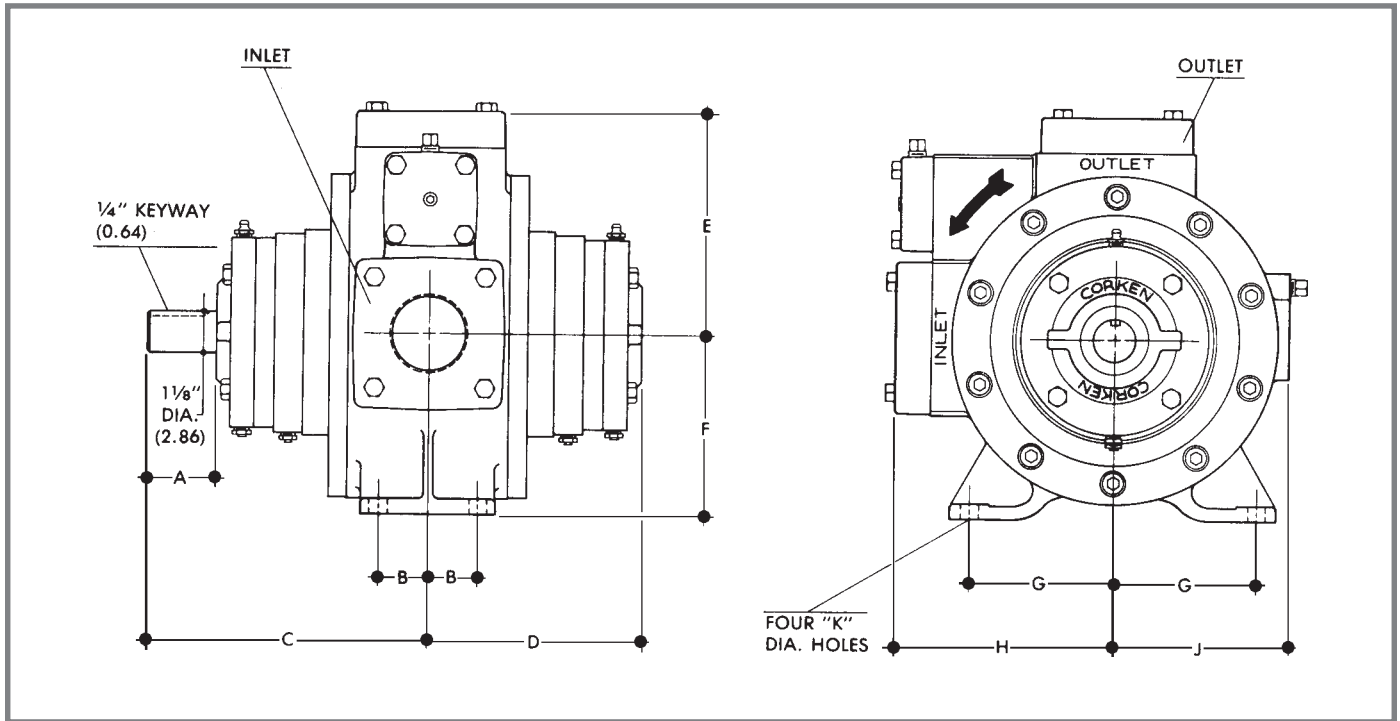


Stationary Pumps—Outline Dimensions

521 and 1021 Models



Outline Dimensions—Inches (Centimeters)						
Model	Inlet	Outlet	A	B	C	D
521	2-1/2" NPT (std.)	2" NPT (std.)	1-31/32	1-3/8	7-7/8	5-29/32
	Opt: 2" NPT 2", 2-1/2" Weld	Opt: 1-1/2", 2-1/2" NPT 1-1/2", 2", 2-1/2" Weld	(5)	(3.49)	(20)	(15)
1021	3" NPT (std.)	3" NPT (std.)	2	1-3/4	8-1/2	6-7/16
	Opt: 3", 4" Weld 4" NPT	Opt: 3", 4" Weld 4" NPT	(5.08)	(4.45)	(21.59)	(16.35)

Outline Dimensions—Inches (Centimeters)						
Model	E	F	G	H	J	K
521	6-1/8	5	4	6-1/8	4-11/16	1/2
	(15.56)	(12.70)	(10.16)	(15.56)	(11.91)	(1.27)
1021	7-1/16	5-1/2	4 1/8	7-1/16	5-3/8	1/2
	(17.94)	(13.97)	(10.48)	(17.94)	(13.65)	(1.27)