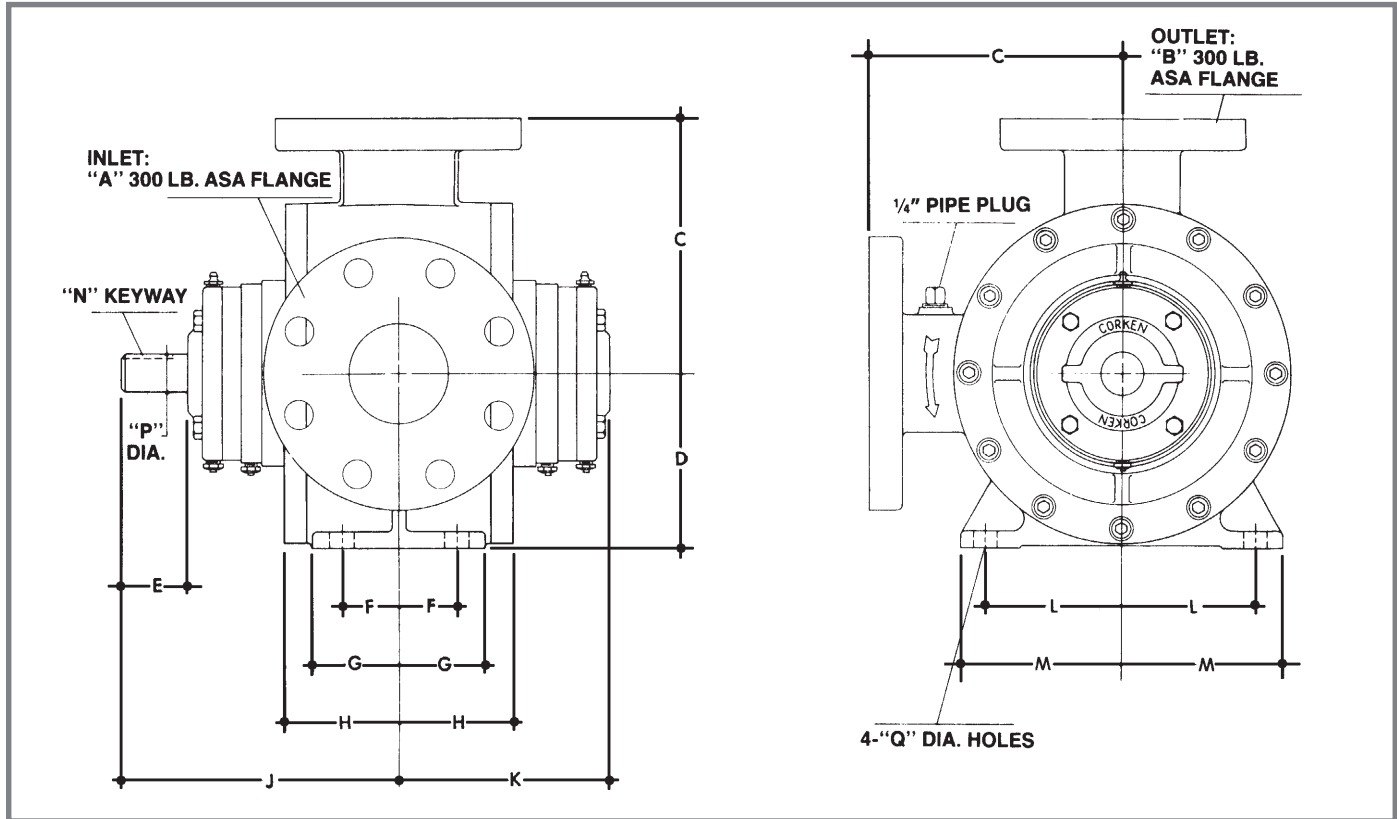


**Stationary Pump—Outline Dimensions**

**F1021 and F1521 Models**



Outline Dimensions—Inches (Centimeters)								
Model	A	B	C	D	E	F	G	H
F1021	3	2-1/2	7-3/4 (19.7)	5-1/2 (14.0)	2 (5.1)	1-3/4 (4.4)	2-5/8 (6.7)	3-1/2 (8.9)
F1521	4	3	7-27/32 (19.9)	5-1/2 (14.0)	3 (7.6)	2-7/8 (7.3)	3-3/4 (9.5)	4-5/8 (11.7)

Outline Dimensions—Inches (Centimeters)							
Model	J	K	L	M	N	P	Q
F1021	8-1/2 (21.6)	6-1/2 (16.5)	4-1/8 (10.5)	4-15/16 (12.5)	1/4 (0.64)	1-1/8 (2.9)	1/2 (1.27)
F1521	10-5/8 (27.0)	8-1/16 (20.5)	4-1/8 (10.5)	4-15/16 (12.5)	1/4 (0.64)	1-1/8 (2.9)	1/2 (1.27)