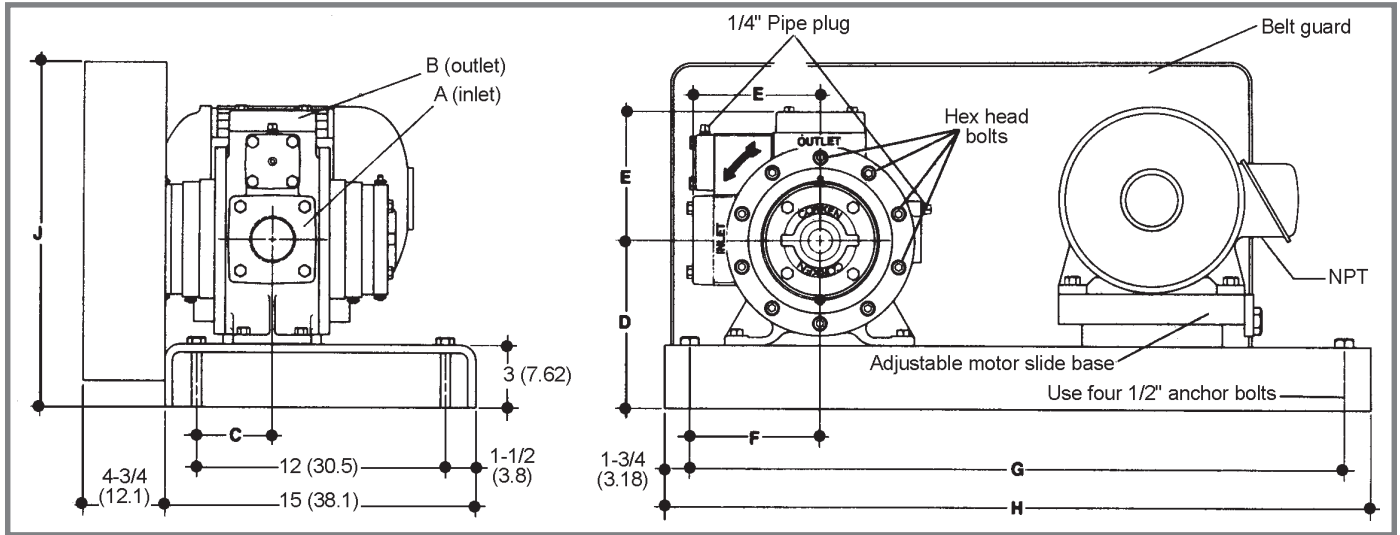


**Stationary Pumps—Outline Dimensions**

**521-103 and 1021-103 Models**



Flange Dimensions		
Model	A (inlet)	B (outlet)
521	2-1/2" NPT (2" NPT opt.)	2" NPT (1-1/2", 2-1/2" NPT opt.)
1021	3" NPT (4" NPT opt.)	3" NPT (4" NPT opt.)

Motor		Pump	521-103 Dimensions—Inches (Centimeters)						
Hp	Frame	Speed	C	D	E	F	G	H	J
2	145T	All	3-5/8 (9.21)	8 (20.3)	6-1/8 (15.6)	6-1/4 (15.9)	31-1/2 (80.0)	34 (86.4)	16-1/2 (41.9)
2	182T	All	3-5/8 (9.21)	8 (20.3)	6-1/8 (15.6)	6-1/4 (15.9)	31-1/2 (80.0)	34 (86.4)	16-1/2 (41.9)
3	182T	All	3-5/8 (9.21)	8 (20.3)	6-1/8 (15.6)	6-1/4 (15.9)	31-1/2 (80.0)	34 (86.4)	16-1/2 (41.9)
3	184T	All	3-5/8 (9.21)	8 (20.3)	6-1/8 (15.6)	6-1/4 (15.9)	31-1/2 (80.0)	34 (86.4)	16-1/2 (41.9)
5	184T	All	3-5/8 (9.21)	8 (20.3)	6-1/8 (15.6)	6-1/4 (15.9)	31-1/2 (80.0)	34 (86.4)	16-1/2 (41.9)
7-1/2	213T	All	3-5/8 (9.21)	8 (20.3)	6-1/8 (15.6)	6-1/4 (15.9)	31-1/2 (80.0)	34 (86.4)	16-1/2 (41.9)
10	215T	420-470	3-5/8 (9.21)	10-3/4 (27.3)	6-1/8 (15.6)	9-1/4 (23.5)	39-1/2 (100.3)	42 (106.7)	19-3/4 (50.2)
10	215T	520-950	3-5/8 (9.21)	8 (20.3)	6-1/8 (15.6)	6-1/4 (15.9)	31-1/2 (80.0)	34 (86.4)	16-1/2 (41.9)

Motor		Pump	1021-103 Dimensions—Inches (Centimeters)						
Hp	Frame	Speed	C	D	E	F	G	H	J
3	182T	All	4-1/2 (10.8)	8-1/2 (21.6)	7-3/16 (18.3)	6-1/4 (15.9)	31-1/2 (80.0)	34 (86.4)	16-1/2 (41.9)
3	182T	All	4-1/2 (10.8)	8-1/2 (21.6)	7-3/16 (18.3)	6-1/4 (15.9)	31-1/2 (80.0)	34 (86.4)	16-1/2 (41.9)
5	184T	All	4-1/2 (10.8)	8-1/2 (21.6)	7-3/16 (18.3)	6-1/4 (15.9)	31-1/2 (80.0)	34 (86.4)	16-1/2 (41.9)
7-1/2	213T	All	4-1/2 (10.8)	8-1/2 (21.6)	7-3/16 (18.3)	6-1/4 (15.9)	31-1/2 (80.0)	34 (86.4)	16-1/2 (41.9)
10	215T	420-470	4-1/2 (10.8)	10-1/2 (26.7)	7-3/16 (18.3)	9-1/4 (23.5)	39-1/2 (100.3)	42 (106.7)	19-3/4 (50.2)
10	215T	520-950	4-1/2 (10.8)	8-1/2 (21.6)	7-3/16 (18.3)	6-1/4 (15.9)	31-1/2 (80.0)	34 (86.4)	16-1/2 (41.9)
15	254T	420-520	4-1/2 (10.8)	10-1/2 (26.7)	7-3/16 (18.3)	9-1/4 (23.5)	39-1/2 (100.3)	42 (106.7)	19-3/4 (50.2)
15	254T	580-950	4-1/2 (10.8)	8-1/2 (21.6)	7-3/16 (18.3)	6-1/4 (15.9)	31-1/2 (80.0)	34 (86.4)	16-1/2 (41.9)
20	256T	520	4-1/2 (10.8)	10-1/2 (26.7)	7-3/16 (18.3)	9-1/4 (23.5)	39-1/2 (100.3)	42 (106.7)	19-3/4 (50.2)
20	256T	640-950	4-1/2 (10.8)	8-1/2 (21.6)	7-3/16 (18.3)	6-1/4 (15.9)	31-1/2 (80.0)	34 (86.4)	16-1/2 (41.9)