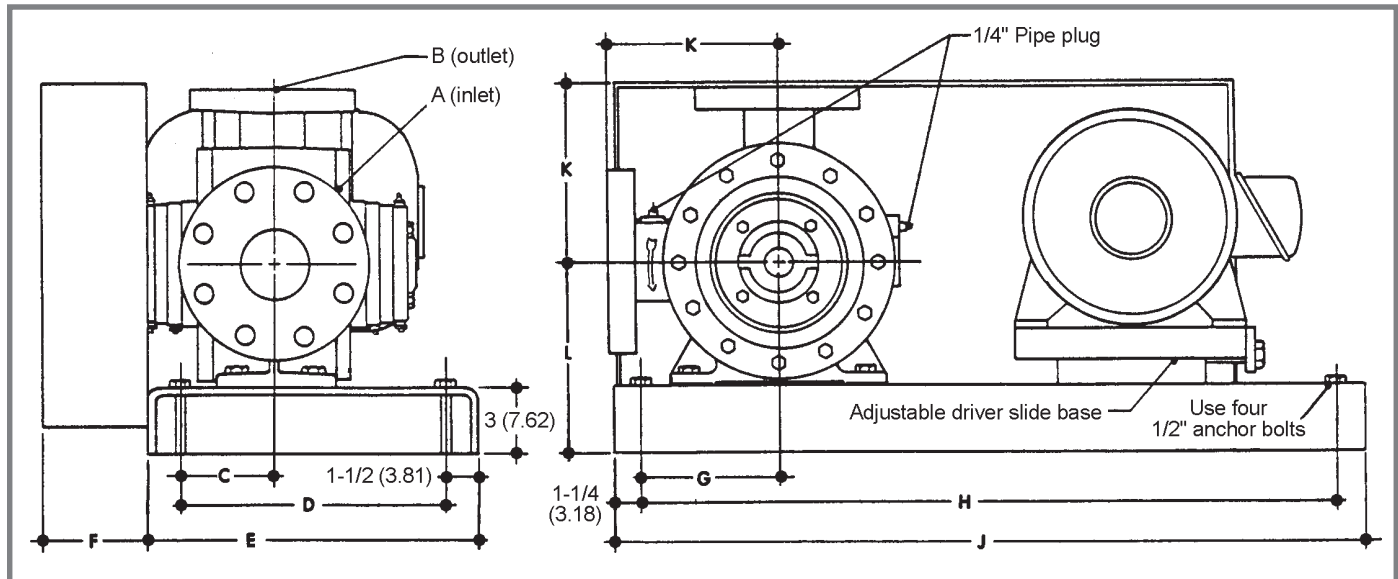


Stationary Pump—Outline Dimensions

F1021-103 and F1521-103 Models



Flange Dimensions		
Model	A (inlet)	B (Outlet)
F1021	3" 300# ANSI	2-1/2" 300# ANSI
F1521	4" 300# ANSI	3" 300# ANSI

Motor		Pump	F1021 Outline Dimensions—Inches (Centimeters)								
HP	Frame	Speed	C	D	E	F	G	H	J	K	L
3	182T	All	4-1/4 (10.8)	12 (30.5)	15 (38.1)	5 (12.7)	6-1/4 (15.9)	31-1/2 (80)	34 (86.4)	7-3/4 (19.7)	8-1/2 (21.6)
3	182T	All	4-1/4 (10.8)	12 (30.5)	15 (38.1)	5 (12.7)	6-1/4 (15.9)	31-1/2 (80)	34 (86.4)	7-3/4 (19.7)	8-1/2 (21.6)
5	184T	All	4-1/4 (10.8)	12 (30.5)	15 (38.1)	5 (12.7)	6-1/4 (15.9)	31-1/2 (80)	34 (86.4)	7-3/4 (19.7)	8-1/2 (21.6)
7-1/2	213T	All	4-1/4 (10.8)	12 (30.5)	15 (38.1)	5 (12.7)	6-1/4 (15.9)	31-1/2 (80)	34 (86.4)	7-3/4 (19.7)	8-1/2 (21.6)
10	215T	420-470	4-1/4 (10.8)	12 (30.5)	15 (38.1)	5 (12.7)	9-1/4 (23.5)	39-1/2 (100.3)	42 (106.7)	7-3/4 (19.7)	10-1/2 (26.7)
10	215T	520-950	4-1/4 (10.8)	12 (30.5)	15 (38.1)	5 (12.7)	6-1/4 (15.9)	31-1/2 (80)	34 (86.4)	7-3/4 (19.7)	8-1/2 (21.6)
15	254T	420-520	4-1/4 (10.8)	12 (30.5)	15 (38.1)	5 (12.7)	9-1/4 (23.5)	39-1/2 (100.3)	42 (106.7)	7-3/4 (19.7)	10-1/2 (26.7)
15	254T	580-950	4-1/4 (10.8)	12 (30.5)	15 (38.1)	5 (12.7)	6-1/4 (15.9)	31-1/2 (80)	34 (86.4)	7-3/4 (19.7)	8-1/2 (21.6)
20	256T	520	4-1/4 (10.8)	12 (30.5)	15 (38.1)	5 (12.7)	9-1/4 (23.5)	39-1/2 (100.3)	42 (106.7)	7-3/4 (19.7)	10-1/2 (26.7)
20	256T	640-950	4-1/4 (10.8)	12 (30.5)	15 (38.1)	5 (12.7)	6-1/4 (15.9)	31-1/2 (80)	34 (86.4)	7-3/4 (19.7)	8-1/2 (21.6)