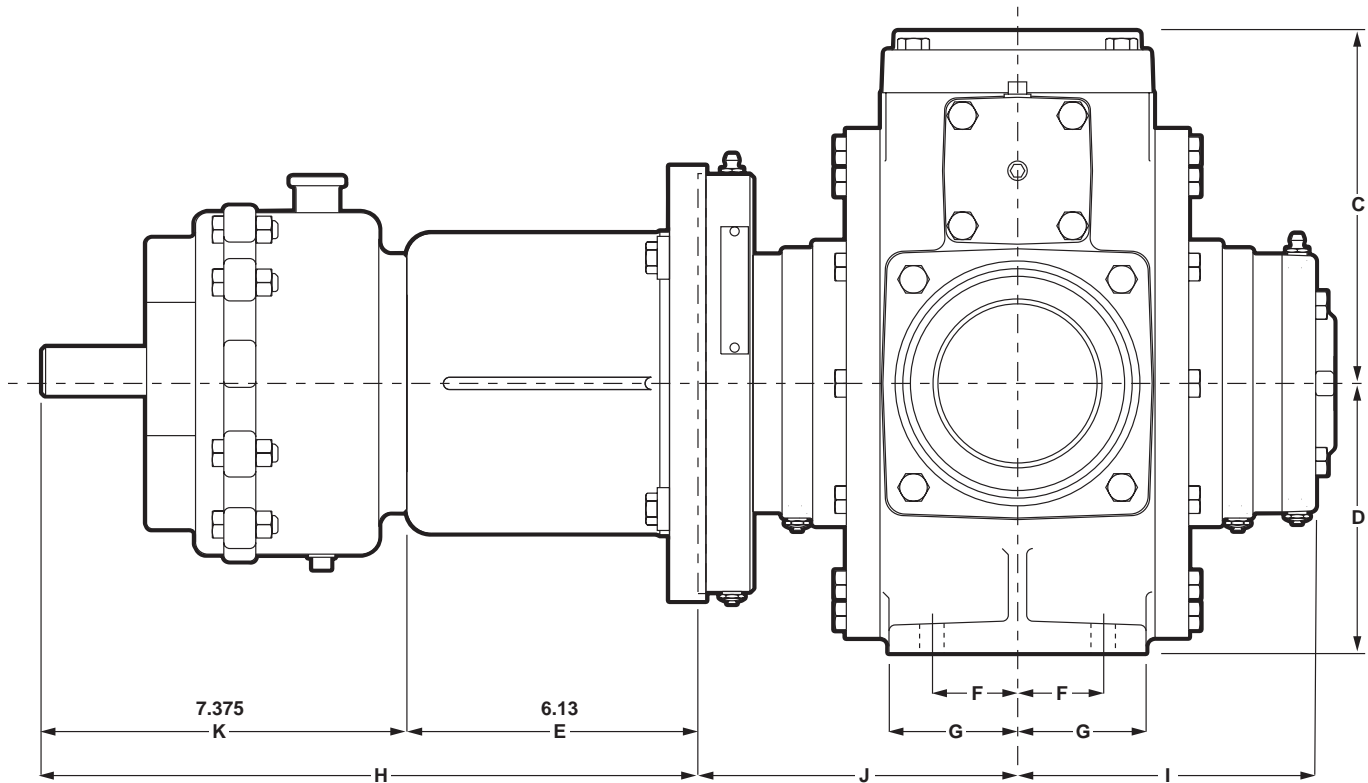


1 Industrial Vane Pump Data / Dimensions

INTEGRAL GEAR OPTION



MODEL	A INLET	B OUTLET	C	D	E	F	G	H	I	J	K
CPHN0521	STD: 2" NPT	STD: 2" NPT	6.13	5.00	6.13	1.38	1.88	13.50	5.88	5.88	7.38
	OPT: 2-1/2" NPT 3" NPT	OPT: 2-1/2" NPT 1-1/2" NPT	157	127	157	35	48	343	149	149	187
CPHN0721	STD: 2-1/2" NPT	STD: 2-1/2" NPT	5.75	4.56	6.13	1.50	2.25	13.50	6.69	6.69	7.38
	OPT: 3" NPT	OPT: 2" NPT	146	116	157	38	57	343	170	170	187
CPHN1021	STD: 3" NPT	STD: 3" NPT	7.63	5.50	6.13	1.75	2.63	13.50	6.50	6.44	7.38
	OPT: 2-1/2" NPT	OPT: 2-1/2" NPT 2" NPT	194	140	157	44	67	343	165	164	187
CPHN1321	STD: 4" NPT	STD: 3" NPT	9.62	5.50	6.13	2.88	3.75	13.50	7.62	7.62	7.38
		OPT: 4" NPT	244	140	157	73	95	343	194	194	187
CPHN1521	STD: 4" NPT	STD: 3" NPT	9.62	5.50	6.13	2.88	3.75	13.50	7.62	7.62	7.38
		OPT: 3" NPT	244	140	157	73	95	343	194	194	187
CPHF0721	STD: 3" 300#	STD: 2" 300#	7.00	4.56	6.13	1.38	2.25	13.50	6.69	6.69	7.38
			178	116	157	35	57	343	170	170	187
CPHF1021	STD: 3" 300#	STD: 2-1/2" 300#	7.75	5.50	6.13	1.75	2.63	13.50	6.50	6.44	7.38
			197	140	157	44	67	343	165	164	187
CPHF1521	STD: 4" 300#	STD: 3" 300#	7.84	5.50	6.13	2.88	3.75	13.50	7.62	7.62	7.38
			199	140	157	73	95	343	194	194	187
CPHF1321	STD: 4" 300#	STD: 3" 300#	9.62	5.50	6.13	2.88	3.75	13.50	7.62	7.62	7.38
			244	140	157	73	95	343	194	194	187
CDHN0521	STD: 2" NPT	STD: 2" NPT	6.13	5.00	6.13	1.38	1.88	13.50	5.88	5.88	7.38
	OPT: 2-1/2" NPT	OPT: 2-1/2" NPT 1-1/2" NPT	157	127	157	35	48	343	149	149	187
CDHN1021	STD: 3" NPT	STD: 3" NPT	7.19	5.50	6.13	1.75	2.63	13.50	6.50	6.50	7.38
	OPT: 4" NPT	OPT: 4" NPT	183	140	157	44	67	343	165	165	187
CDHN1521	STD: 4" NPT	STD: 4" NPT	9.62	5.50	6.13	2.88	3.75	13.50	7.62	7.62	7.38
		OPT: 3" NPT	244	140	157	73	95	343	194	194	187