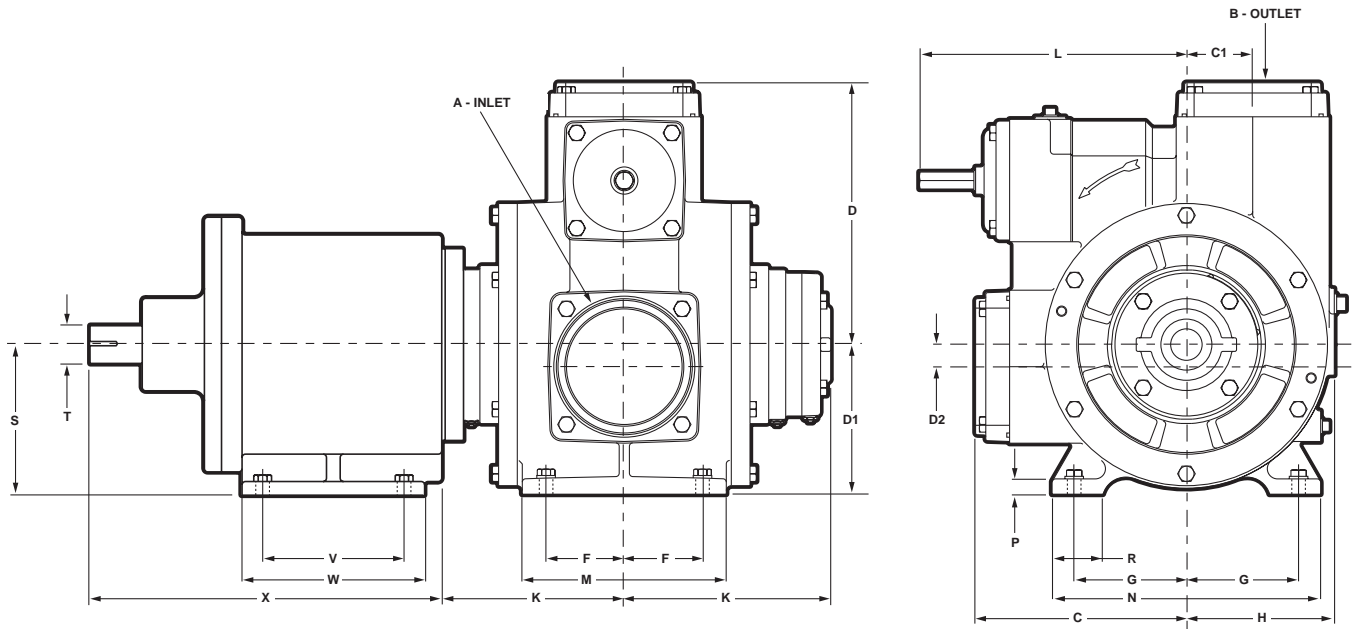


Industrial Vane Pump Data / Dimensions 1

CPMN/CDMN



MODEL	A INLET	B OUTLET	C	C1	D	D1	D2	F	G	H	K	L	M	N	S	T	V	W	X
CPMN0521	STD: 2" NPT	STD: 2" NPT	6.13	0	6.13	5.00*	0	1.38	4.00	4.69	5.50	7.38	3.75	9.00	5.50	1.375	5.00	6.50	13.32
	OPT: 2-1/2" NPT 3" NPT	OPT: 2-1/2" NPT 1-1/2" NPT	157	0	157	127	0	35	102	119	140	187	95	229	140	35	127	165	338
CPMN0721	STD: 2-1/2" NPT	STD: 2-1/2" NPT	5.62	1.16	5.75	4.56*	0.81	1.50	3.38	4.56	6.25	10.19	4.50	8.19	5.50	1.375	5.00	6.50	13.32
	OPT: 3" NPT	OPT: 2" NPT 3" NPT	143	29	146	116	21	38	86	116	159	259	114	208	140	35	127	165	338
CPMN1021	STD: 3" NPT	STD: 3" NPT	6.88	3.13	7.63	5.50	0	1.75	4.12	5.50	6.06	8.88	5.25	9.88	5.50	1.375	5.00	6.50	13.32
	OPT: 2-1/2" NPT	OPT: 2-1/2" NPT 2" NPT	175	79	194	140	0	44	105	140	154	226	133	251	140	35	127	165	338
CDMN0521	STD: 2" NPT	STD: 2" NPT	6.13	0	6.13	5.00*	0	1.38	4.00	4.69	5.50	7.38	3.75	9.00	5.50	1.375	5.00	6.50	13.32
	OPT: 2-1/2" NPT	OPT: 1-1/2" NPT 2-1/2" NPT	157	0	157	127	0	35	102	119	140	187	95	229	140	35	127	165	338
CDMN1021	STD: 3" NPT	STD: 3" NPT	7.06	0	7.19	5.50	0	1.75	4.12	5.38	6.06	11.25	5.25	9.88	5.50	1.375	5.00	6.50	13.32
	OPT: 4" NPT	OPT: 4" NPT	179	0	183	140	0	44	105	137	154	286	133	251	140	35	127	165	338

* Pump must be blocked up to match 5.50" center height of bearing carrier.