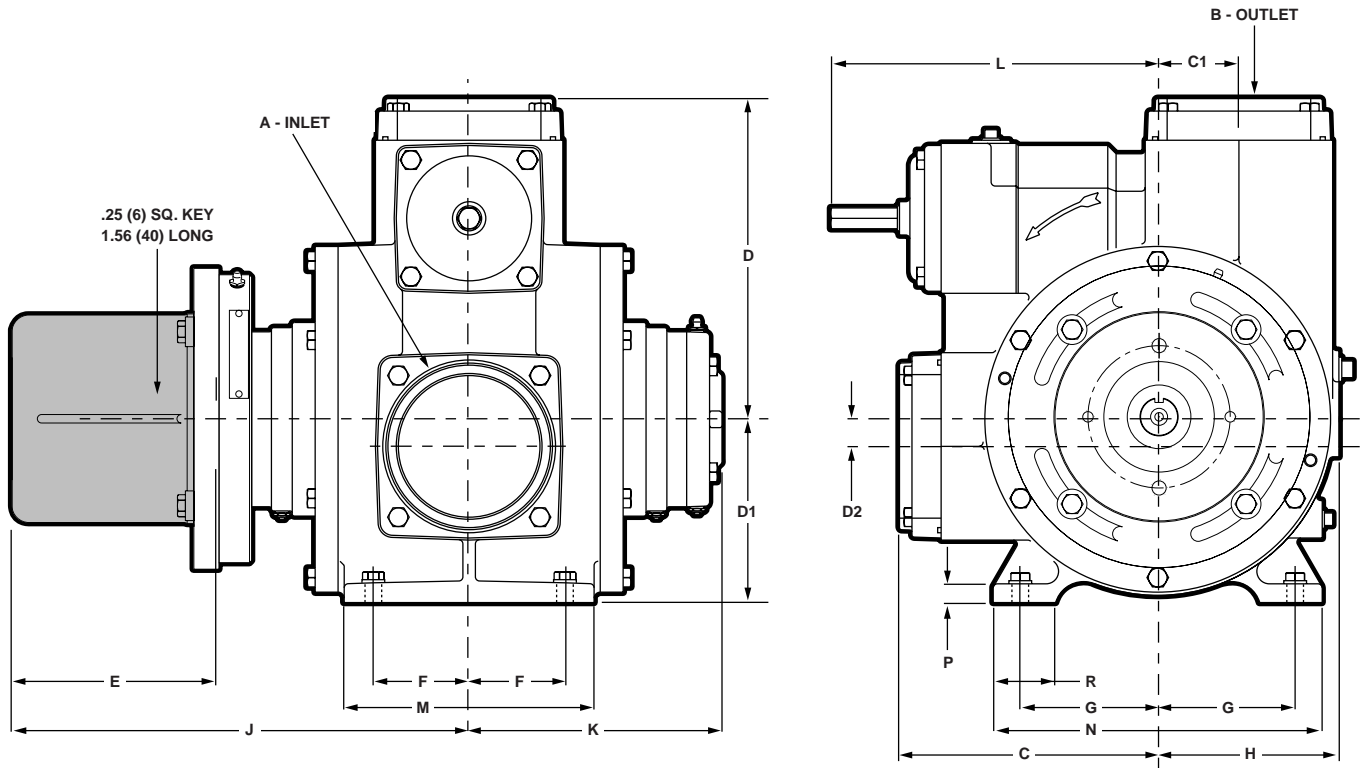


Industrial Vane Pump Data / Dimensions 1

CPHN/CDHN



Note: Bare pump includes 182 / 184 TC Mounting Flange. Bracket shown above (shaded area) is sold separately.

MODEL	A INLET	B OUTLET	C	C1*	D	D1	D2*	E	F	G	H	J	K	L	M	N
CPHN0521	STD: 2" NPT	STD: 2" NPT	6.13	0	6.13	5.00	0	6.13	1.38	4.00	4.69	12.00	5.88	7.38	3.75	9.00
	OPT: 2-1/2" NPT 3" NPT	OPT: 2-1/2" NPT 1-1/2" NPT	157	0	157	127	0	157	35	102	119	305	149	187	95	229
CPHN0721	STD: 2-1/2" NPT	STD: 2-1/2" NPT	5.62	1.16	5.75	4.56	0.81	6.13	1.50	3.38	4.56	12.81	6.69	10.19	4.50	8.19
	OPT: 3" NPT	OPT: 2" NPT	143	29	146	116	21	157	38	86	116	325	170	259	114	208
CPHN1021	STD: 3" NPT	STD: 3" NPT	6.88	3.13	7.63	5.50	0	6.13	1.75	4.12	5.50	12.56	6.44	8.88	5.25	9.88
	OPT: 2-1/2" NPT	OPT: 2-1/2" NPT 2" NPT	175	79	194	140	0	157	44	105	140	319	164	225	133	251
CPHN 1321	STD: 4" NPT	STD: 3" NPT	7.75	2.44	9.62	5.50	0.81	6.13	2.88	4.12	5.38	13.75	7.62	9.38	7.50	9.88
		OPT: 4" NPT	197	62	244	140	21	157	73	105	137	349	194	238	191	251
CPHN1521	STD: 4" NPT	STD: 4" NPT	7.75	2.44	9.62	5.50	0.81	6.13	2.88	4.12	5.38	13.75	7.62	9.38	7.50	9.88
		OPT: 3" NPT	197	62	244	140	21	157	73	105	137	349	194	238	191	251
CDHN0521	STD: 2" NPT	STD: 2" NPT	6.13	0	6.13	5.00	0	6.13	1.38	4.00	4.69	12.00	5.88	7.38	3.75	9.00
	OPT: 2-1/2" NPT	OPT: 2-1/2" NPT 1-1/2" NPT	157	0	157	127	0	157	35	102	119	305	149	187	95	229
CDHN1021	STD: 3" NPT	STD: 3" NPT	7.06	0	7.19	5.50	0	6.13	1.75	4.12	5.38	12.63	6.50	11.25	5.25	9.88
	OPT: 4" NPT	OPT: 4" NPT	179	0	183	140	0	157	44	105	137	321	165	286	133	251
CDHN1521	STD: 4" NPT	STD: 4" NPT	7.75	2.44	9.62	5.50	0.81	6.13	2.88	4.12	5.38	13.75	7.62	9.81	7.50	9.88
		OPT: 3" NPT	197	62	244	140	21	157	73	105	137	349	194	249	191	251

*NOTE: For some models C1 and D2 will be 0. This denotes that the suction and/or discharge flange will be centered with the shaft.