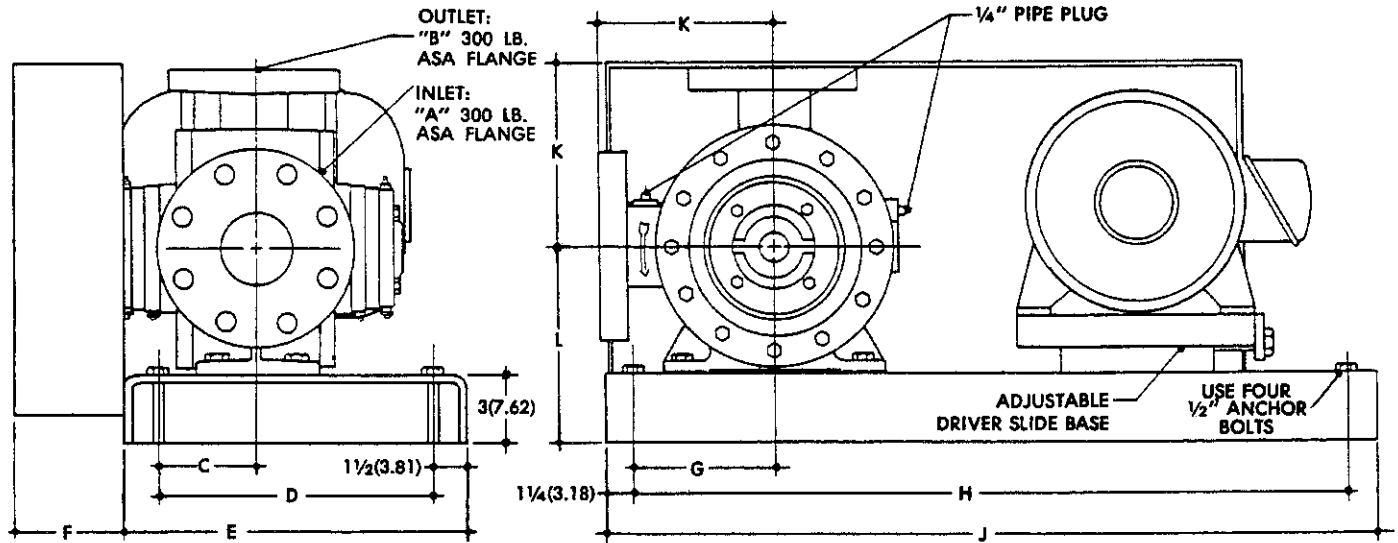


V-BELT DRIVE  
 MODELS F1021, F1521  
 OUTLINE DIMENSIONS

DECEMBER 1986  
 SUPERSEDES VC306



MODEL F1021-103

Motor		Pump	Dimension in Inches(cm)										
Hp.	Frame	Speed	A	B	C	D	E	F	G	H	J	K	L
3	182T	All	3	2-1/2	4-1/4(10.8)	12(30.5)	15(38.1)	5(12.7)	6-1/4(15.9)	31-1/2(80)	34(86.4)	7-3/4(19.7)	8-1/2(21.6)
3	184T	All	3	2-1/2	4-1/4(10.8)	12(30.5)	15(38.1)	5(12.7)	6-1/4(15.9)	31-1/2(80)	34(86.4)	7-3/4(19.7)	8-1/2(21.6)
5	184T	All	3	2-1/2	4-1/4(10.8)	12(30.5)	15(38.1)	5(12.7)	6-1/4(15.9)	31-1/2(80)	34(86.4)	7-3/4(19.7)	8-1/2(21.6)
7-1/2	213T	All	3	2-1/2	4-1/4(10.8)	12(30.5)	15(38.1)	5(12.7)	6-1/4(15.9)	31-1/2(80)	34(86.4)	7-3/4(19.7)	8-1/2(21.6)
10	215T	420-470	3	2-1/2	4-1/4(10.8)	12(30.5)	15(38.1)	5(12.7)	9-1/4(23.5)	39-1/2(100.3)	42(106.7)	7-3/4(19.7)	10-1/2(26.7)
10	215T	520-950	3	2-1/2	4-1/4(10.8)	12(30.5)	15(38.1)	5(12.7)	6-1/4(15.9)	31-1/2(80)	34(86.4)	7-3/4(19.7)	8-1/2(21.6)
15	254T	420-520	3	2-1/2	4-1/4(10.8)	12(30.5)	15(38.1)	5(12.7)	9-1/4(23.5)	39-1/2(100.3)	42(106.7)	7-3/4(19.7)	10-1/2(26.7)
15	254T	580-950	3	2-1/2	4-1/4(10.8)	12(30.5)	15(38.1)	5(12.7)	6-1/4(15.9)	31-1/2(80)	34(86.4)	7-3/4(19.7)	8-1/2(21.6)
20	256T	520	3	2-1/2	4-1/4(10.8)	12(30.5)	15(38.1)	5(12.7)	9-1/4(23.5)	39-1/2(100.3)	42(106.7)	7-3/4(19.7)	10-1/2(26.7)
20	256T	640-950	3	2-1/2	4-1/4(10.8)	12(30.5)	15(38.1)	5(12.7)	6-1/4(15.9)	31-1/2(80)	34(86.4)	7-3/4(19.7)	8-1/2(21.6)

MODEL F1521-103

Motor		Pump	Dimension in Inches(cm)										
Hp.	Frame	Speed	A	B	C	D	E	F	G	H	J	K	L
5	184T	All	4	3	6-3/8(16.2)	12(30.5)	15(38.3)	5(12.7)	6-1/4(15.9)	31-1/2(80)	34(86.4)	7-7/8(19.9)	8-1/2(21.6)
7-1/2	213T	All	4	3	6-3/8(16.2)	12(30.5)	15(38.3)	5(12.7)	6-1/4(15.9)	31-1/2(80)	34(86.4)	7-7/8(19.9)	8-1/2(21.6)
10	215T	420-470	4	3	6-3/8(16.2)	12(30.5)	15(38.3)	5(12.7)	9-1/4(23.5)	39-1/2(100.3)	42(106.7)	7-7/8(19.9)	10-1/2(26.7)
10	215T	520-860	4	3	6-3/8(16.2)	12(30.5)	15(38.3)	5(12.7)	6-1/4(15.9)	31-1/2(80)	34(86.4)	7-7/8(19.9)	8-1/2(21.6)
15	254T	420-520	4	3	6-3/8(16.2)	12(30.5)	15(38.3)	5(12.7)	9-1/4(23.5)	39-1/2(100.3)	42(106.7)	7-7/8(19.9)	10-1/2(26.7)
15	254T	580-860	4	3	6-3/8(16.2)	12(30.5)	15(38.3)	5(12.7)	6-1/4(15.9)	31-1/2(80)	34(86.4)	7-7/8(19.9)	8-1/2(21.6)
20	256T	520	4	3	6-3/8(16.2)	12(30.5)	15(38.3)	5(12.7)	9-1/4(23.5)	39-1/2(100.3)	42(106.7)	7-7/8(19.9)	10-1/2(26.7)
20	256T	640-860	4	3	6-3/8(16.2)	12(30.5)	15(38.3)	5(12.7)	6-1/4(15.9)	31-1/2(80)	34(86.4)	7-7/8(19.9)	8-1/2(21.6)

All Dimensions based on a Motor Speed of 1750 RPM.