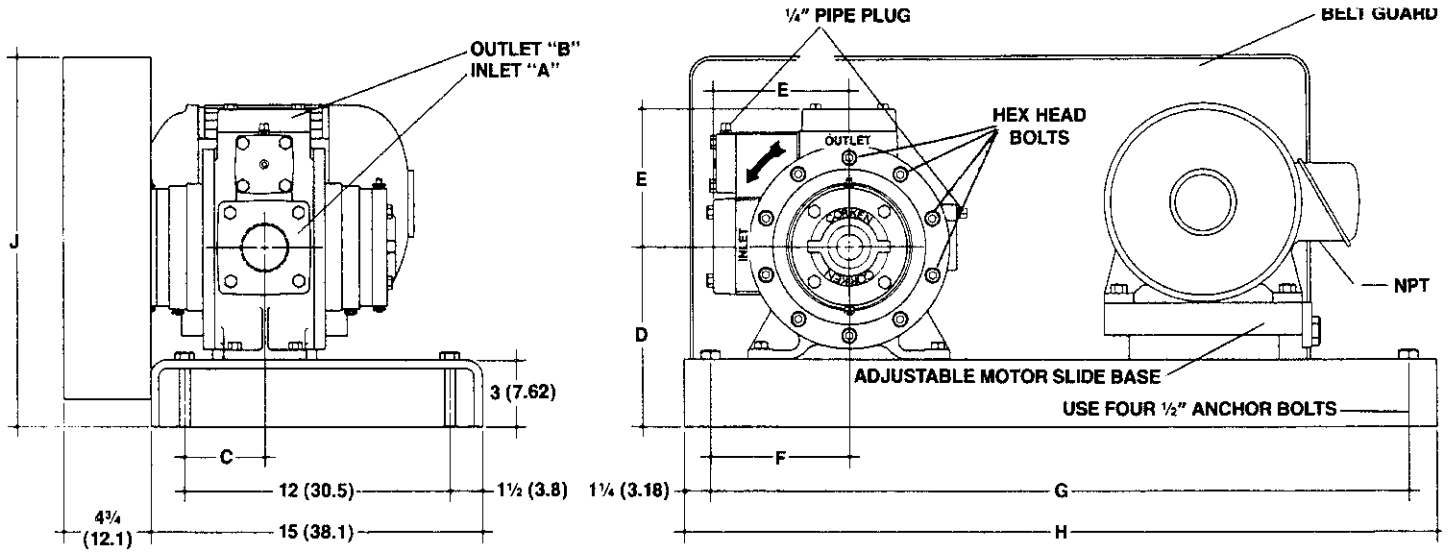


**"V" BELT DRIVE
OUTLINE DIMENSIONS**

APRIL 1996
SUPERSEDES VC302E



MODEL 521-103

MOTOR		PUMP SPEED	DIMENSIONS IN INCHES (CM.)								
HP	FRAME		A	B	C	D	E	F	G	H	J
2	145T	ALL	2½ (2 Opt.)	2 (1½, 2½ Opt.)	3½ (9.21)	8 (20.3)	6½ (15.6)	6¼ (15.9)	31½ (80.0)	34 (86.4)	16½ (41.9)
2	182T	ALL	2½ (2 Opt.)	2 (1½, 2½ Opt.)	3½ (9.21)	8 (20.3)	6½ (15.6)	6¼ (15.9)	31½ (80.0)	34 (86.4)	16½ (41.9)
3	182T	ALL	2½ (2 Opt.)	2 (1½, 2½ Opt.)	3½ (9.21)	8 (20.3)	6½ (15.6)	6¼ (15.9)	31½ (80.0)	34 (86.4)	16½ (41.9)
3	184T	ALL	2½ (2 Opt.)	2 (1½, 2½ Opt.)	3½ (9.21)	8 (20.3)	6½ (15.6)	6¼ (15.9)	31½ (80.0)	34 (86.4)	16½ (41.9)
5	184T	ALL	2½ (2 Opt.)	2 (1½, 2½ Opt.)	3½ (9.21)	8 (20.3)	6½ (15.6)	6¼ (15.9)	31½ (80.0)	34 (86.4)	16½ (41.9)
7½	213T	ALL	2½ (2 Opt.)	2 (1½, 2½ Opt.)	3½ (9.21)	8 (20.3)	6½ (15.6)	6¼ (15.9)	31½ (80.0)	34 (86.4)	16½ (41.9)
10	215T	420-470	2½ (2 Opt.)	2 (1½, 2½ Opt.)	3½ (9.21)	10¾ (27.3)	6½ (15.6)	9¼ (23.5)	39½ (100.3)	42 (106.7)	19¾ (50.2)
10	215T	520-950	2½ (2 Opt.)	2 (1½, 2½ Opt.)	3½ (9.21)	8 (20.3)	6½ (15.6)	6¼ (15.9)	31½ (80.0)	34 (86.4)	16½ (41.9)

MODEL 1021-103

MOTOR		PUMP SPEED	DIMENSIONS IN INCHES (CM.)								
HP	FRAME		A	B	C	D	E	F	G	H	J
3	182T	ALL	3 (4 Opt.)	3 (4 Opt.)	4¼ (10.8)	8½ (21.6)	7¾ (18.3)	6¼ (15.9)	31½ (80.0)	34 (86.4)	16½ (41.9)
3	184T	ALL	3 (4 Opt.)	3 (4 Opt.)	4¼ (10.8)	8½ (21.6)	7¾ (18.3)	6¼ (15.9)	31½ (80.0)	34 (86.4)	16½ (41.9)
5	184T	ALL	3 (4 Opt.)	3 (4 Opt.)	4¼ (10.8)	8½ (21.6)	7¾ (18.3)	6¼ (15.9)	31½ (80.0)	34 (86.4)	16½ (41.9)
7½	213T	ALL	3 (4 Opt.)	3 (4 Opt.)	4¼ (10.8)	8½ (21.6)	7¾ (18.3)	6¼ (15.9)	31½ (80.0)	34 (86.4)	16½ (41.9)
10	215T	420-470	3 (4 Opt.)	3 (4 Opt.)	4¼ (10.8)	10½ (26.7)	7¾ (18.3)	9¼ (23.5)	39½ (100.3)	42 (106.7)	19¾ (50.2)
10	215T	520-950	3 (4 Opt.)	3 (4 Opt.)	4¼ (10.8)	8½ (21.6)	7¾ (18.3)	6¼ (15.9)	31½ (80.0)	34 (86.4)	16½ (41.9)
15	254T	420-520	3 (4 Opt.)	3 (4 Opt.)	4¼ (10.8)	10½ (26.7)	7¾ (18.3)	9¼ (23.5)	39½ (100.3)	42 (106.7)	19¾ (50.2)
15	254T	580-950	3 (4 Opt.)	3 (4 Opt.)	4¼ (10.8)	8½ (21.6)	7¾ (18.3)	6¼ (15.9)	31½ (80.0)	34 (86.4)	16½ (41.9)
20	256T	520	3 (4 Opt.)	3 (4 Opt.)	4¼ (10.8)	10½ (26.7)	7¾ (18.3)	9¼ (23.5)	39½ (100.3)	42 (106.7)	19¾ (50.2)
20	256T	640-950	3 (4 Opt.)	3 (4 Opt.)	4¼ (10.8)	8½ (21.6)	7¾ (18.3)	6¼ (15.9)	31½ (80.0)	34 (86.4)	16½ (41.9)

ALL DIMENSIONS BASED ON A MOTOR SPEED OF 1750 RPM.