

OUTLINE DIMENSIONS CORO-VANE STATIONARY PUMP

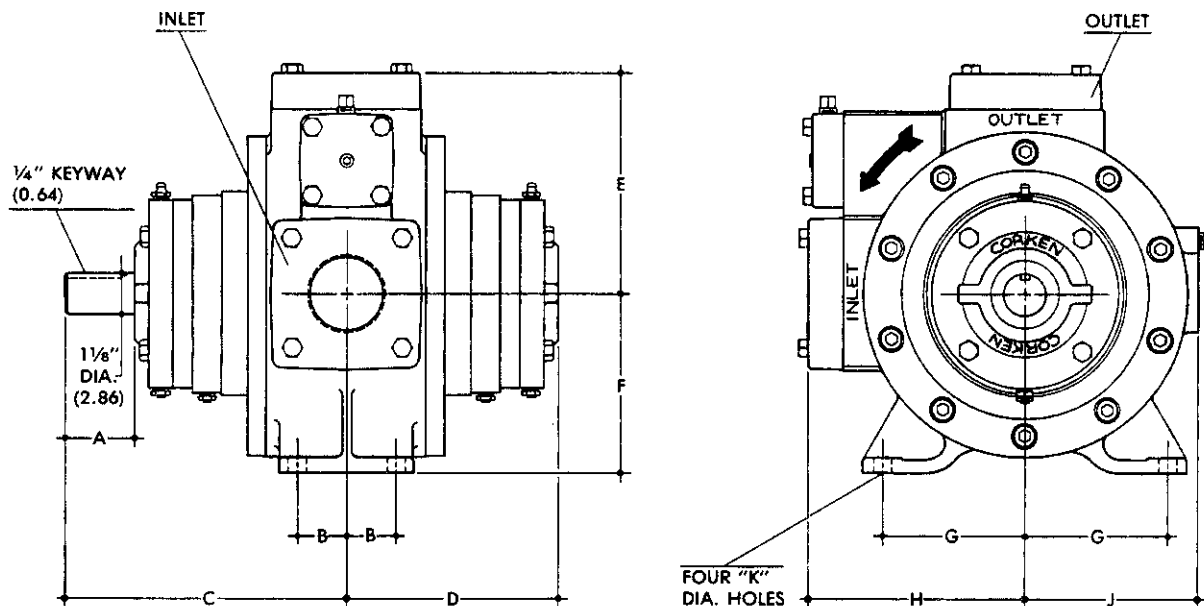
VC

300A

MODELS 521 AND 1021

APRIL
SUPERSEDES

1995
VC300



Dimensions in Inches (Cm.)

MODEL	INLET	OUTLET	A	B	C	D
521	2½" PIPE TAP (STANDARD) (OPTIONAL: 2" PIPE TAP, 2" WELD OR 2½" WELD)	2" PIPE TAP (STANDARD) (OPTIONAL: 1½" PIPE TAP, 1½" WELD OR 2" WELD, 2½" PIPE TAP OR 2½" WELD)	1 ³¹ / ₃₂ (5.00)	1" (3.49)	7 ⁷ / ₈ (20.00)	5 ²⁹ / ₃₂ (15.00)
1021	3" PIPE TAP (STANDARD) (OPTIONAL: 3" WELD, 4" PIPE TAP OR 4" WELD)	3" PIPE TAP (STANDARD) (OPTIONAL: 3" WELD, 4" PIPE TAP OR 4" WELD)	2 (5.08)	1¾ (4.45)	8½ (21.59)	6 ⁷ / ₁₆
MODEL	E	F	G	H	J	K
521	6 ⁵ / ₈ (15.56)	5 (12.70)	4 (10.16)	6 ⁵ / ₈ (15.56)	4 ¹¹ / ₁₆ (11.91)	½ (1.27)
1021	7 ¹ / ₁₆ (17.94)	5½ (13.97)	4 ⁵ / ₈ (10.48)	7 ¹ / ₁₆ (17.94)	5" (13.65)	½ (1.27)