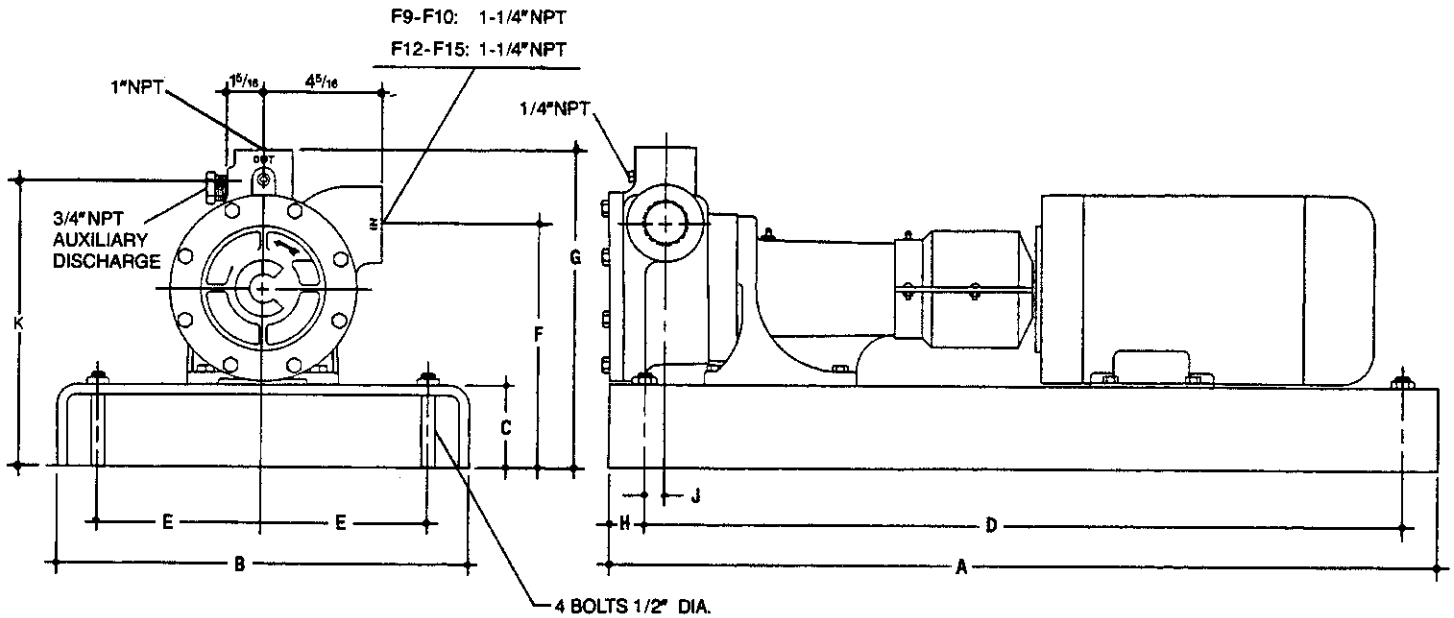


**MODELS F9 - F15  
MOUNTING STYLE -101  
OUTLINE DIMENSIONS**

MAY 1995  
SUPERSEDES VF304E



DIMENSIONS IN INCHES (CENTIMETERS)

MOTOR FRAME	A	B	C	D	E	F	G	H	J	K
56	22 (56.0)	10 (25.0)	2½ (6.3)	20 (51.0)	4 (10.2)	8¼ (21.0)	11 (28.0)	1 (2.5)		
66						9¾ (23.8)	12¾ (30.8)			
143T, 145T						8 <sup>13</sup> / <sub>16</sub> (22.4)	11½ (29.2)			
182T, 184T	30 (76.2)	15 (38.1)	3 (7.6)	27½ (69.8)	6 (15.2)	9¾ (24.8)	12½ (31.7)	1¼ (3.2)	1 <sup>1</sup> / <sub>16</sub> (1.7)	10¾ (25.7)
213T, 215T						10½ (26.7)	13¼ (33.7)			
254U	34 (86.4)			31½ (80.0)		11½ (29.2)	14¼ (36.2)			