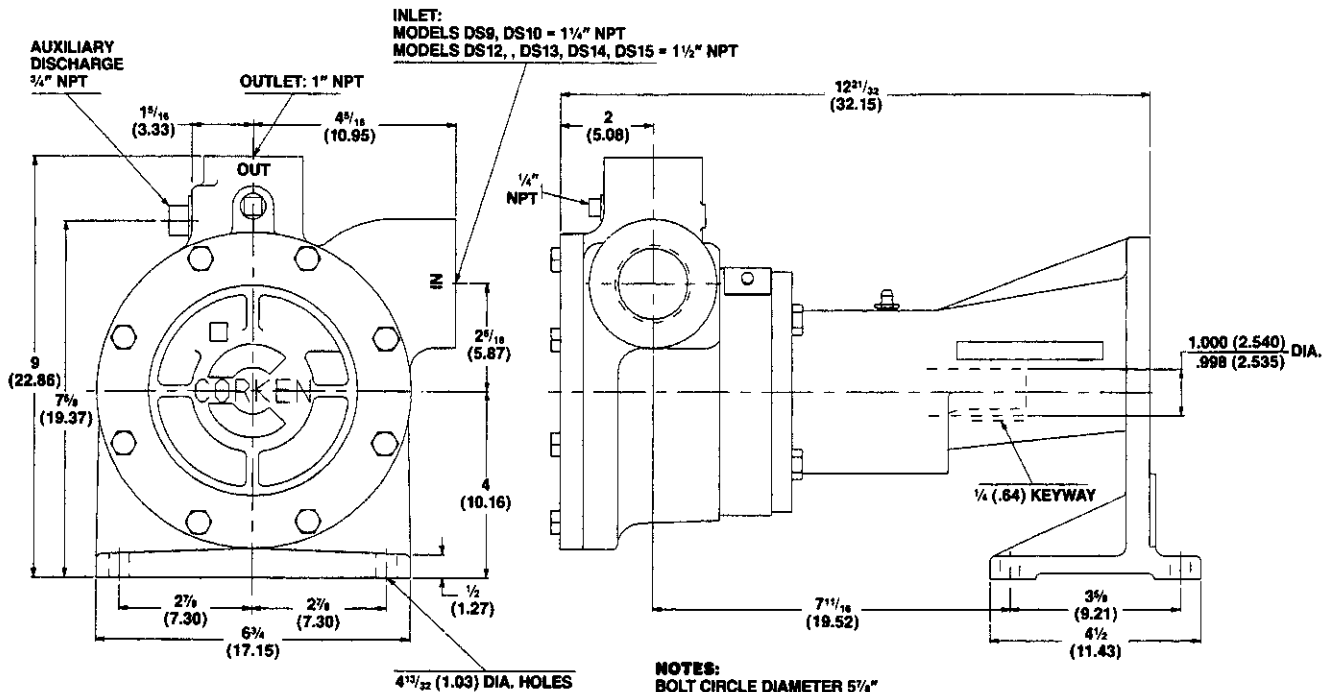


**DIRECT MOUNTED
OUTLINE DIMENSIONS**

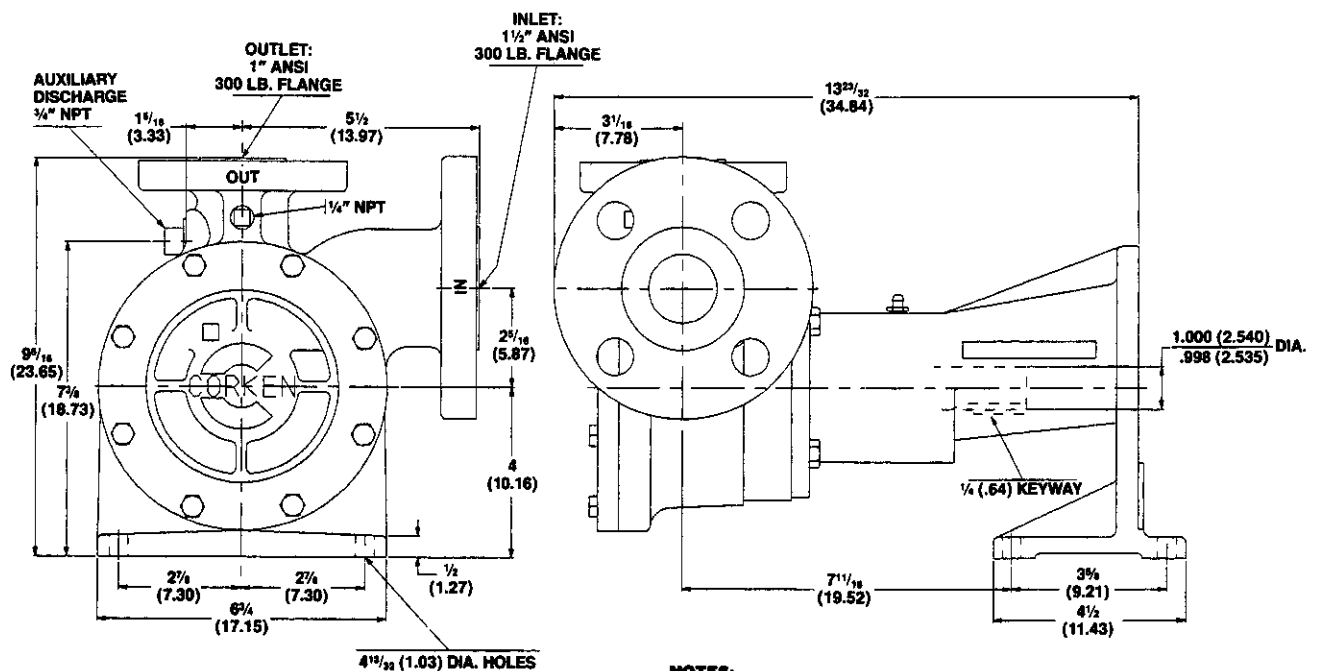
APRIL 1996
SUPERSEDES VF302

DS9 - DS15



NOTES:
BOLT CIRCLE DIAMETER 5 1/4"
RABBET DIAMETER 4.5"
UP TO 145TC FRAME MOTORS
MOTOR MOUNTING BOLTS 3/8-16 x 1" H.H.

DSF9 - DSF15



NOTES:
BOLT CIRCLE DIAMETER 5 1/4"
RABBET DIAMETER 4.5"
UP TO 145TC FRAME MOTORS
MOTOR MOUNTING BOLTS 3/8-16 x 1" H.H.

DIMENSIONS IN INCHES (CENTIMETERS)