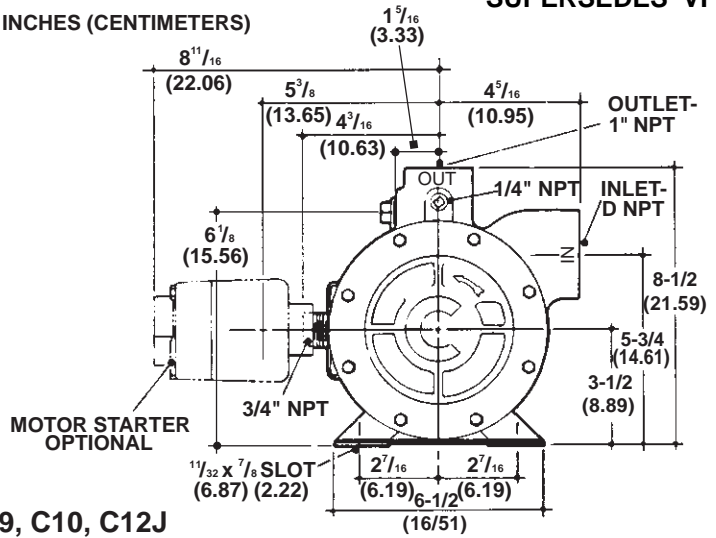
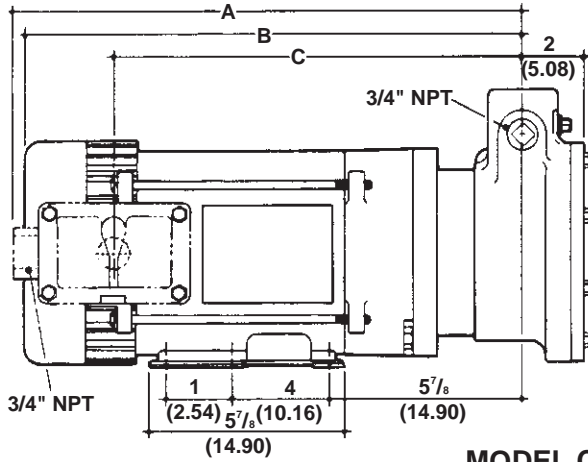


**MODELS C9 THROUGH C14
CLOSE COUPLED
OUTLINE DIMENSIONS**

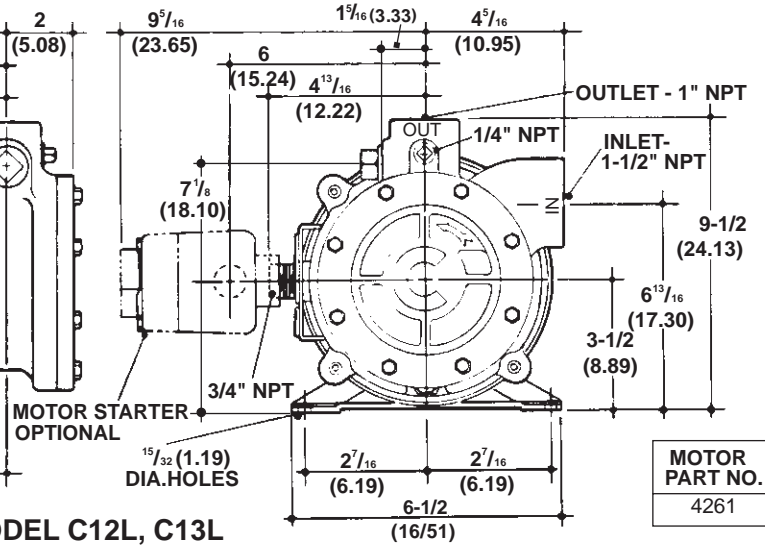
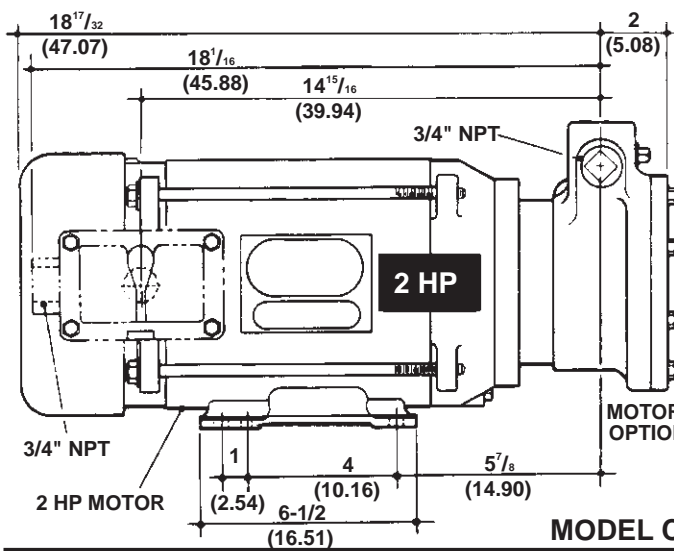
**FEBRUARY 1998
SUPERSEDES VF300A**

DIMENSIONS IN INCHES (CENTIMETERS)



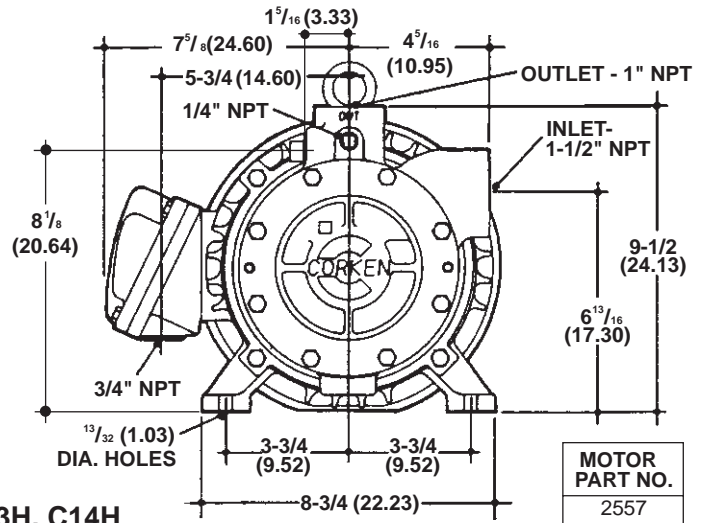
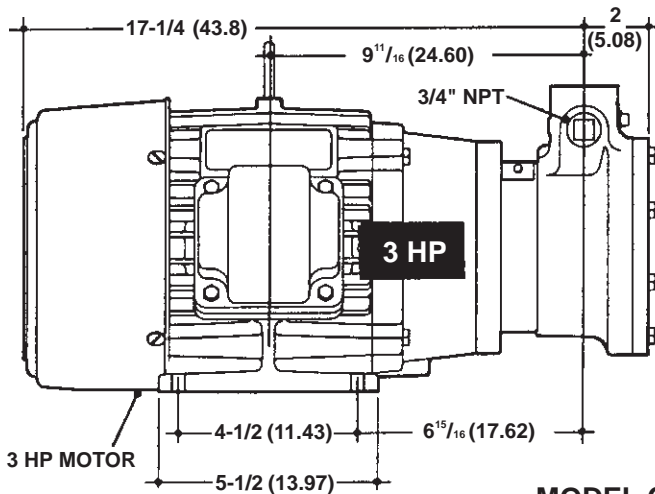
MODEL C9, C10, C12J

MODEL	A	B	C	D	MOTOR SIZE	MOTOR PART NO.
C9 C10	15 5/8 (39.69)	15-1/4 (38.74)	12-1/2 (31.75)	1-1/4 (3.18)	3/4 HP.	2555
C12	17 7/8 (43.50)	16-3/4 (42.55)	14 (35.58)	1-1/2 (3.81)	1 HP.	2556



MODEL C12L, C13L

MOTOR PART NO.
4261



MODEL C13H, C14H

MOTOR PART NO.
2557