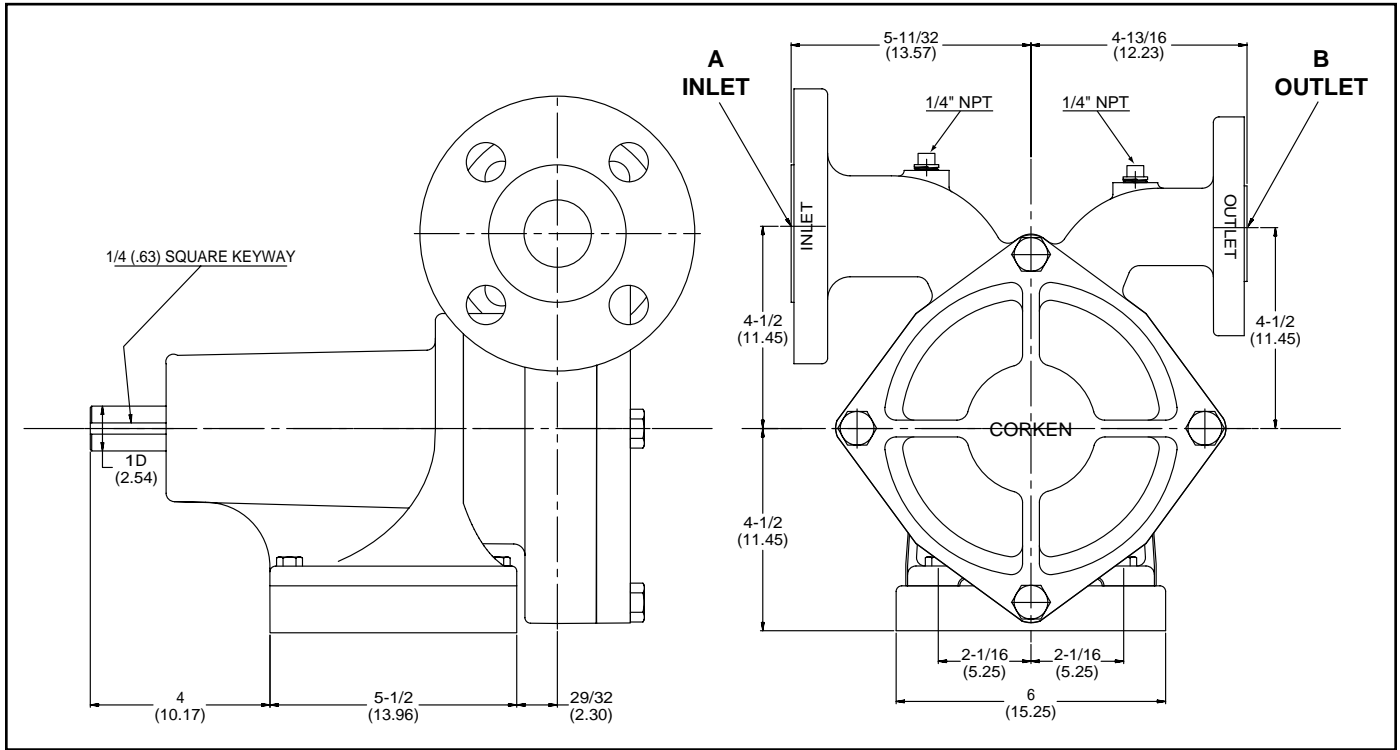


**FRAME MOUNT
OUTLINE DIMENSIONS**

JUNE 2000
FIRST ISSUE

ANSI FLANGE (FF) AND DIN FLANGE (FD)



DIMENSIONS IN INCHES (CENTIMETERS)

FLANGE SIZES

MODEL	DIMENSION A (INLET)	DIMENSION B (OUTLET)
FF	1-1/2" ANSI 300 lb.	1" ANSI 300 lb.
FD	DIN 2635, 40 PN, 40 mm	DIN 2635, 40 PN, 25 mm