

New Four-Way Valve

Corken is now using a new supplier for its four-way valves. The new four-way valves are dimensionally different than the previous design so this change affects all 107 compressor mountings. Listed below are the features, specifications, and dimensions for the new valves.



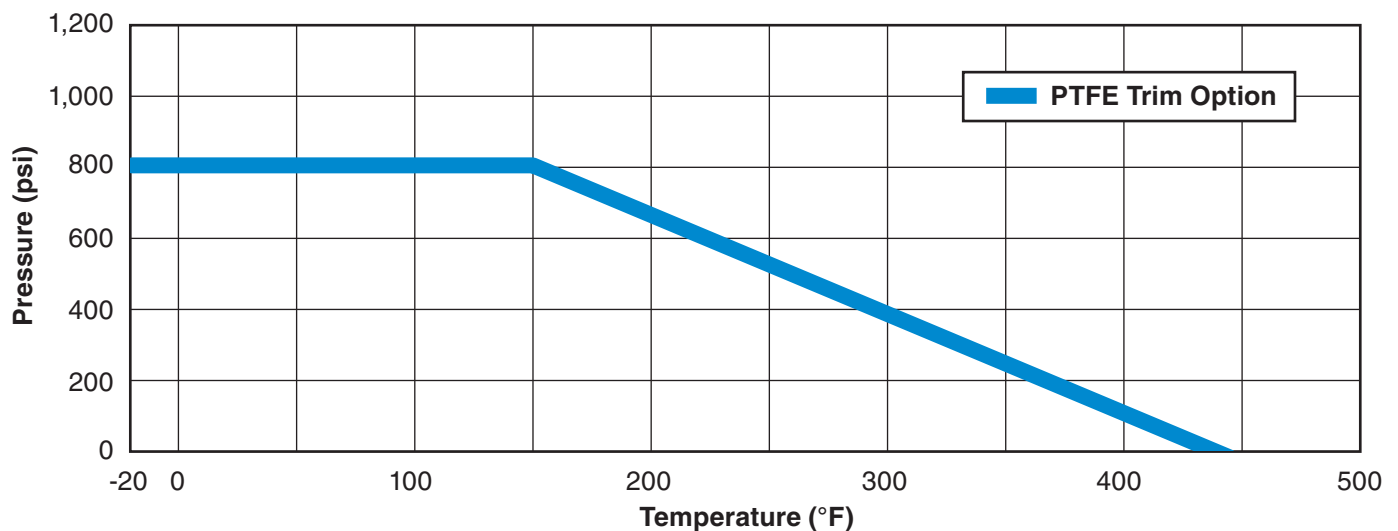
Features

- Multi-Port Ball Valve
- Carbon Steel Body and End Caps
- Stainless Steel Ball
- Gasket, Stem Packing, and Seats Available in PTFE
- Adjustable Stem Packing
- ISO 5211 Direct Mounting Pad for
 - Limit Switches
 - Actuators
- End Caps are Threaded and/or Flanged
- X-Port (Double L) Port Design

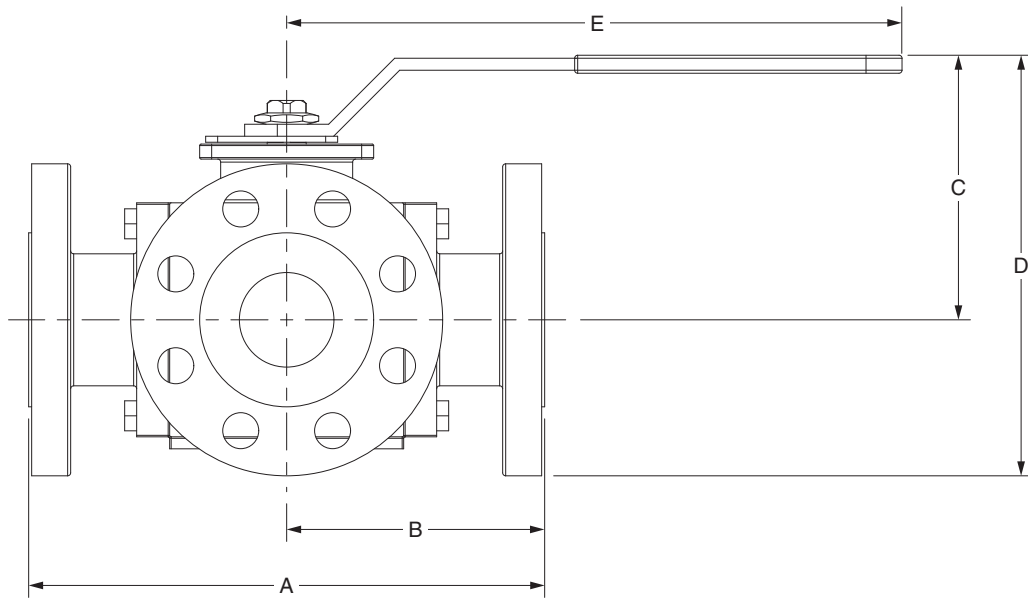
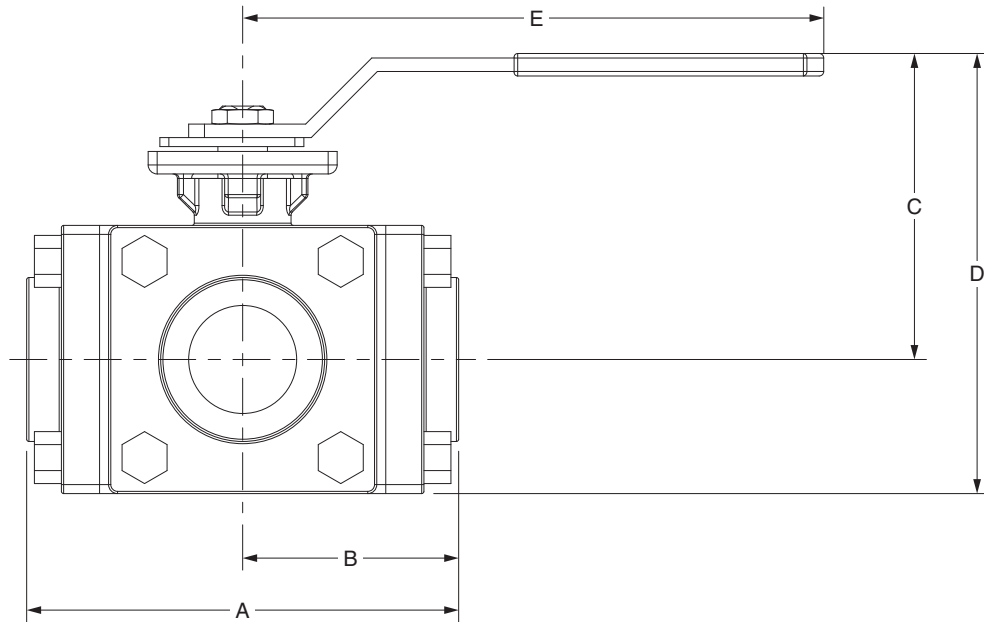
Available Corken Sizes

Size	Part No.	Est. Weight lb (kg)	Repair Kit
1" NPT	3046	8.5 (3.9)	3072
1-1/4" NPT	3047	19 (8.6)	3073
2" class 300 RF flange	3048	60 (27.2)	3074

Pressure / Temperature Rating



Four-Way Valve Outline Dimensions



Part No.	Description	A	B	C	D	E
3046	1" NPT	4" (102)	2" (51)	3-7/16" (87)	4-13/16" (122)	6-1/2" (165)
3047	1-1/4" NPT	6" (152)	3" (76)	4-1/4" (108)	6-1/8" (156)	8-1/16" (205)
3048	2" ANSI 300#	10-3/4" (273)	5-3/8" (137)	5-1/2" (140)	8-3/4" (222)	12-13/16" (325)

All dimensions are in inches (centimeters).

Solutions beyond products...
CORKEN
 IDEX

CORKEN, INC. • A Unit of IDEX Corporation
 3805 N.W. 36th St., Oklahoma City, OK 73112 U.S.A.
 Phone (405) 946-5576 • FAX (405) 948-7343
 Visit our website at www.corken.com
 E-mail us at cocsalesdept@idexcorp.com



@CorkenInc

