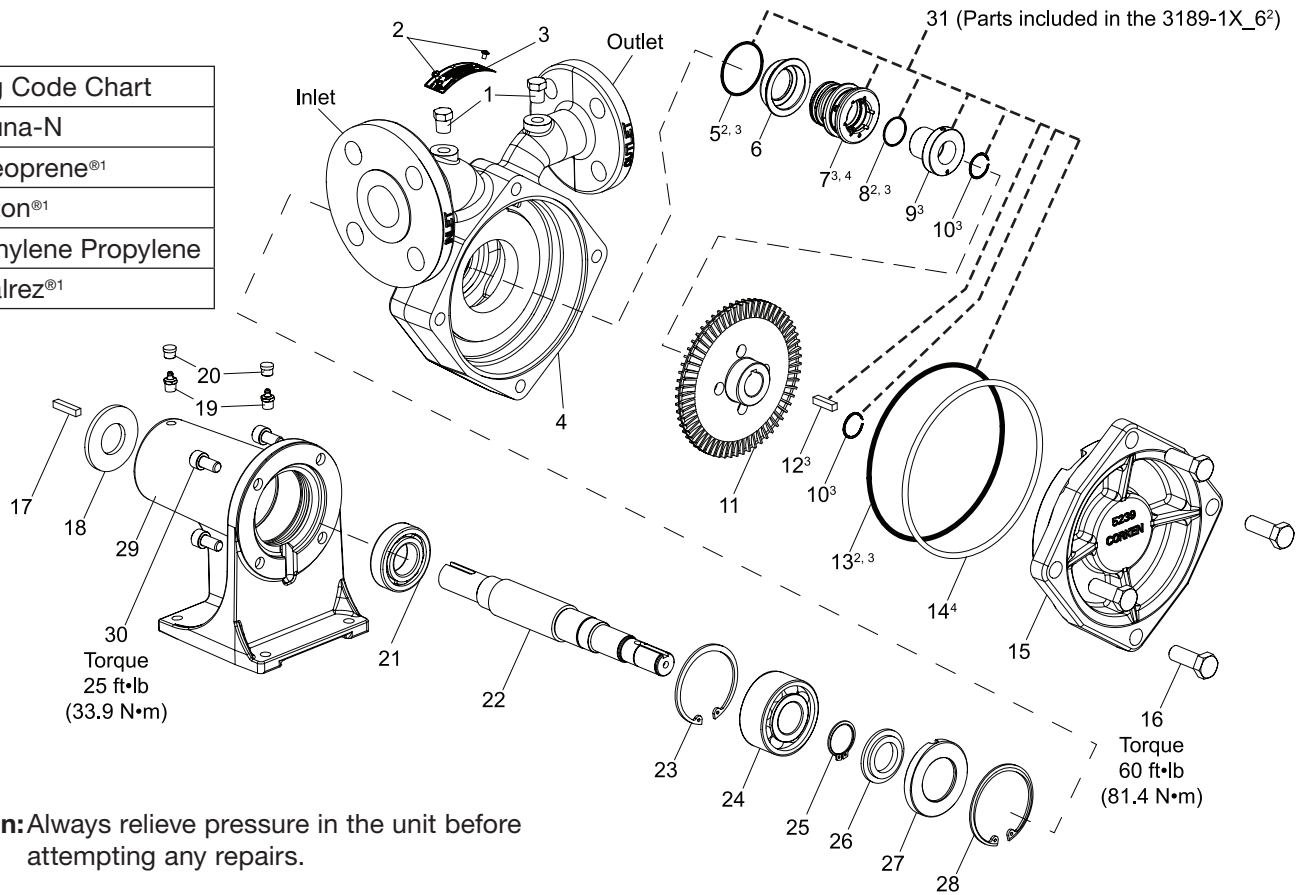


Appendix E—Parts Details for Models 060, 075 and 150 Coro-Flo® Pumps Frame Mount ANSI Flange (FF) and Din Flange (FD)

O-ring Code Chart	
A	Buna-N
B	Neoprene ^{®1}
D	Viton ^{®1}
G	Ethylene Propylene
K	Kalrez ^{®1}



Caution: Always relieve pressure in the unit before attempting any repairs.

No	Part no	Description	Qty
1	3442	1/4" pipe plug	2
2	7012-0065F019E	Nameplate screw	2
3	1914-1	Nameplate	1
4	5238-060	060 Case—ANSI flange (FF)	1
	5238-75	075 Case—ANSI flange (FF)	1
	5238	150 Case—ANSI flange (FF)	1
	5238-061	060 Case—DIN flange (FD)	1
	5238-751	075 Case—DIN flange (FD)	1
	5238-1	150 Case—DIN flange (FD)	1
5	2-133_2,3	Seal housing O-ring	1
6	5244-1X	Seal housing assembly	1
7	Not sold separately ³	Seal sub assembly	1
8	2-018_2,3	Seal sleeve O-ring	1
9	Not sold separately ³	Seal sleeve assembly	1
10	2760-88 ³	7/8" retainer ring	1
11	5240-060	060 Impeller (bronze)	1
	5240-75	075 Impeller (bronze)	1
	5240	150 Impeller (bronze)	1
	5240-061	060 Impeller (stainless steel)	1
	5240-751	075 Impeller (stainless steel)	1
	5240-1	150 Impeller (stainless steel)	1
	5240-062	060 Impeller (steel)	1
	5240-752	075 Impeller (steel)	1
	5240-2	150 Impeller (steel)	1
12	4244 ³	Impeller key	1
13	2-260_2,3	Case O-ring	1
14	5248 ⁴	Case clearance shim	1

No	Part no	Description	Qty
15	5239-060	060-Cover	1
	5239-75	075-Cover	1
	5239	150-Cover	1
16	7301-140MC040A	M14-2 x 40mm hex head bolt	4
17	3226	Shaft key	1
18	3227	Bearing plate	1
19	2158	Grease zerk	2
20	2159	Lubricap	2
21	2759	Single row ball bearing	1
22	5241-1	Shaft	1
23	5000-281	Retainer ring	1
24	2758	Double row ball bearing	1
25	5102-118	Retainer ring	1
26	1006	Grease seal	1
27	1238	Bearing cap	1
28	5002-281	Retainer ring	1
29	1010-3	Mounting frame	1
30	7302-100MC020A	M10-1.5 x 22mm Allen head bolt	4
31	3189-1X_6 ²	Seal assembly	1

¹Registered trademark of the DuPont company

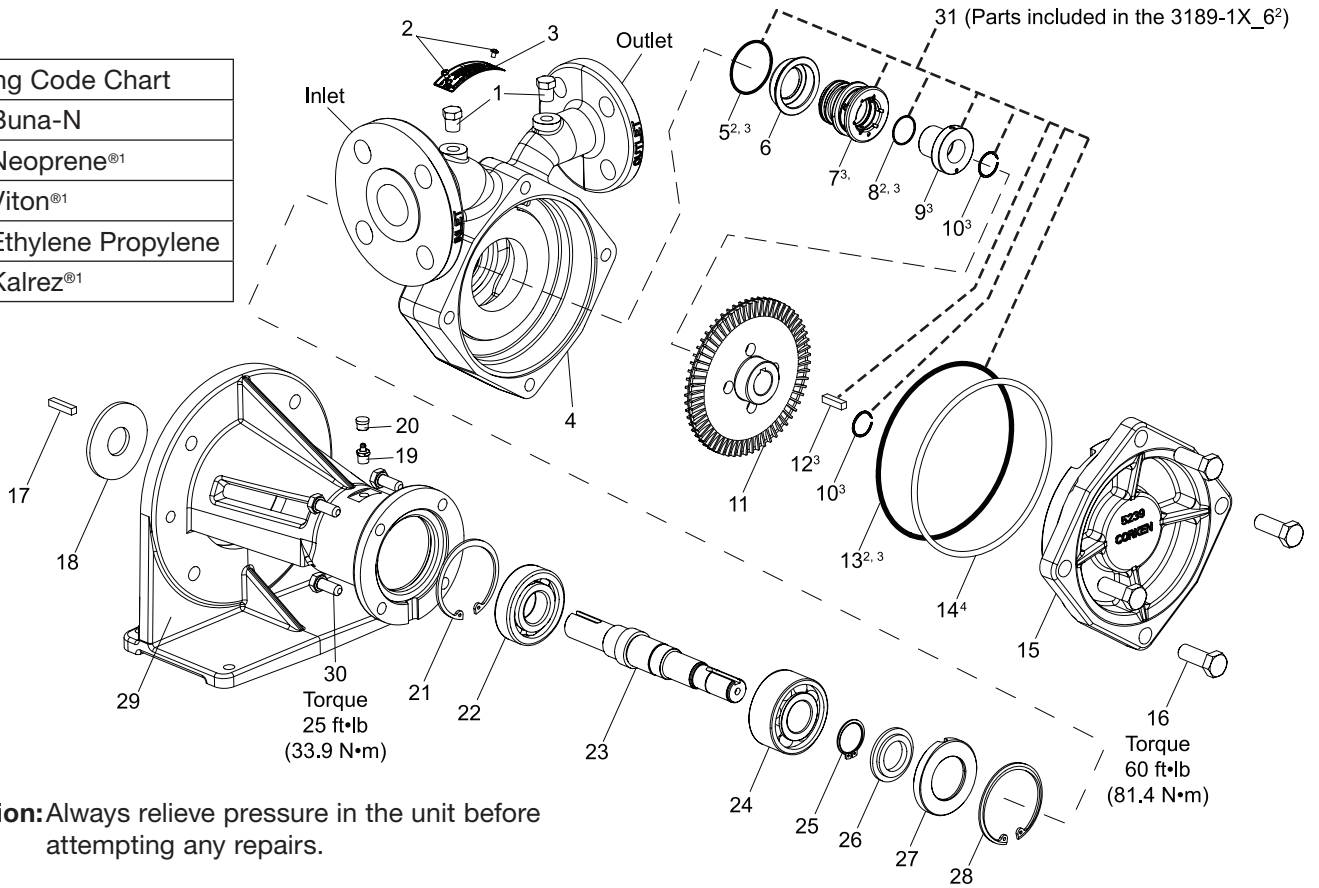
²_ denotes O-ring code

³Included in seal assembly 3189-1X_6²

⁴The case clearance shim only applies to models prior to serial number prefix YU. For a complete explanation of Corcen's serial number prefix codes, see page A400 (latest version) located in the "Policy and Prices" section of your sales catalog or service manual.

Appendix E—Parts Details for Models 060, 075 and 150 Coro-Flo® Pumps Direct Mount ANSI Flange (DLF) and Din Flange (DLD)

O-ring Code Chart	
A	Buna-N
B	Neoprene ^{®1}
D	Viton ^{®1}
G	Ethylene Propylene
K	Kalrez ^{®1}



Caution: Always relieve pressure in the unit before attempting any repairs.

No	Part no	Description	Qty
1	3442	1/4" pipe plug	2
2	7012-0065F019E	Nameplate screw	2
3	1914-1	Nameplate	1
4	5238-060	060 Case—ANSI flange (FF)	1
	5238-75	075 Case—ANSI flange (FF)	1
	5238	150 Case—ANSI flange (FF)	1
	5238-061	060 Case—DIN flange (FD)	1
	5238-751	075 Case—DIN flange (FD)	1
5238-1	150 Case—DIN flange (FD)	1	
5	2-133_2,3	Seal housing O-ring	1
6	5244-1X	Seal housing assembly	1
7	Not sold separately ³	Seal sub assembly	1
8	2-018_2,3	Seal sleeve O-ring	1
9	Not sold Separately	Seal sleeve assembly	1
10	2760-88 ³	7/8" retainer ring	1
11	5240-060	060 Impeller (bronze)	1
	5240-75	075 Impeller (bronze)	1
	5240	150 Impeller (bronze)	1
	5240-061	060 Impeller (stainless steel)	1
	5240-751	075 Impeller (stainless steel)	1
	5240-1	150 Impeller (stainless steel)	1
	5240-062	060 Impeller (steel)	1
	5240-752	075 Impeller (steel)	1
	5240-2	150 Impeller (steel)	1
12	4244 ³	Impeller key	1
13	2-260_2,3	Case O-ring	1
14	5248 ⁴	Case clearance shim	1

No	Part no	Description	Qty
15	5239-060	060-Cover	1
	5239-75	075-Cover	1
	5239	150-Cover	1
16	7301-140MC040A	M14-2 x 40mm hex head bolt	4
17	3226	Shaft key	1
18	4377	Bearing plate	1
19	2158	Grease zerk	1
20	2159	Lubricap	1
21	5000-281	Retainer ring	1
22	4378	Single row ball bearing	1
23	5241-2	Shaft	1
24	2758	Double row ball bearing	1
25	5102-118	Retainer ring	1
26	1006	Grease seal	1
27	1238	Bearing cap	1
28	5002-281	Retainer ring	1
29	4298	Mounting frame—NEMA	1
	4298-1	Mounting frame—IEC	1
30	7301-100MC025A	M10-1.5 x 25mm hex head bolt	4
31	3189-1X_6 ²	Seal assembly	1

¹Registered trademark of the DuPont company

²_ denotes O-ring code

³Included in seal assembly 3189-1X_6²

⁴The case clearance shim only applies to models prior to serial number prefix YU. For a complete explanation of Corken's serial number prefix codes, see page A400 (latest version) located in the "Policy and Prices" section of your sales catalog or service manual.