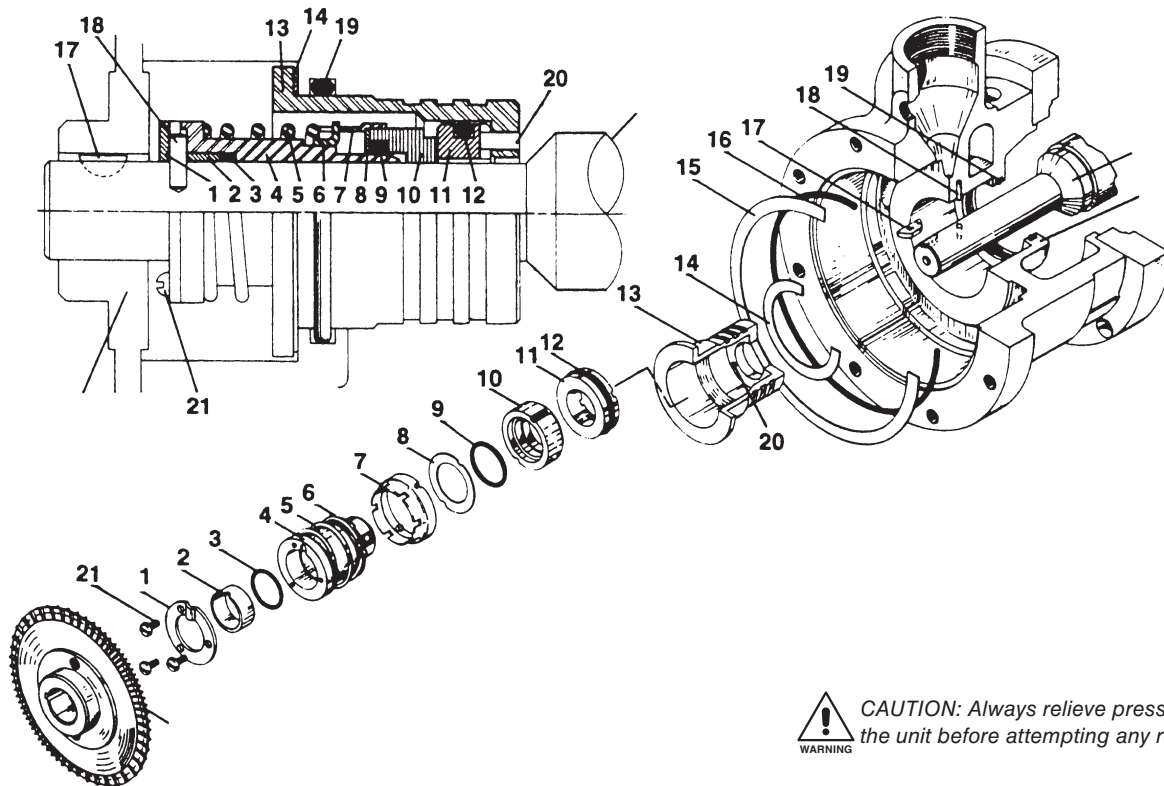


Appendix E—Parts Details for the Balanced Seal Assembly (113-CX_)

All C-, DS-, DSF-, DL-, DLF-, F-, FF-Models (Sizes 9, 10, 12, 13, 14, & 15)



CAUTION: Always relieve pressure in the unit before attempting any repairs.

Ref No.	Part No.	Description	Qty.
1	1008	Seal clamp ring	1
2	1080	Follower, aluminum	1
	1080-1	Follower, stainless steel	1
3	2-018 ^a	Follower O-ring	1
4	1007 ^c	Seal sleeve, aluminum	1
	1007-2	Seal sleeve, stainless steel	1
5	2734 ^c	Spring	1
6	2735 ^c	Drive band	1
7	2736 ^c	Retainer	1
8	2737 ^c	Disc	1
9	2-118 ^{a,f}	Rotor O-ring	1
	2343-X ^{d,g}	Coro-seal (not shown)	1
10	2738 ^{c,f}	Rotor	1
	2738-1 ^{d,g}	Rotor for Coro-Seal	1
11	2739 ^c	Seat, cast iron	1
	2739-1 ^c	Seat, ceramic	1
	2739-2 ^c	Seat, ni-resist	1
	2739-3 ^c	Seat, stainless steel	1
	2739-4 ^c	Seat, tungsten carbide	1
12	2-123 ^a	Seat O-ring	1
13	1004-1X ^{e,f}	Seal housing, steel (with pin)	1
	1004-11X ^{e,f}	Seal housing, stainless steel (with pin)	1
	1004-2X ^{e,g}	Seal housing, steel	1
	1004-21X ^{e,g}	Seal housing, stainless steel	1
14	1013 ^e	Housing adjustment shim (.010")	As req.
	1013-1 ^e	Housing adjustment shim (.020)	As req.
15	1014	Case clearance shim (.002)	As req.
	1014-1	Case clearance shim (.003)	As req.

Ref No.	Part No.	Description	Qty.
16	2-246 ^a	Case O-ring (non-PTFE)	1
	2-247E	Case O-ring, PTFE	1
17	2497	#5 Woodruff key, steel	1
	2497-1	#5 Woodruff key, stainless steel	1
18	1009	Seal drive pin	1
19	2-224 ^a	Seal housing O-ring	1
20	3520	Roll pin (included with seal housing)	1
21	7012-006NC025B	Screw, 6-32 x 1/4" phillip pan head	3

Assembly No.	Assembly Name
113-CX ^{a,d}	Seal assembly with 1007-X, 1008, 1009, 1014, 1014-1, 1080, 2497, 2736, 2737, 2739-X, 2-018, 2-224, 2-246
1007-X	Seal sleeve assembly with 1007, 2734, 2735
1007-2X	Seal sleeve assembly, stainless steel, with 1007-2, 2734, 2735

O-ring Code	
A	Buna-N
B	Neoprene ^{®b}
D	Viton ^{®b}
E	PTFE
G	Ethylene Propylene
K	Kalrez ^{®b}

^a _ denotes O-ring code. See O-ring chart for details.

^b Registered trademark of the DuPont company.

^c These parts are not available separately.

^d For PTFE fitted seals, O-ring 2-118 is replaced by Coro-Seal 2343-X and rotor 2738 is replaced by 2738-1.

^e Not included in 113-CX.

^f Except PTFE O-rings.

^g For PTFE O-rings only.