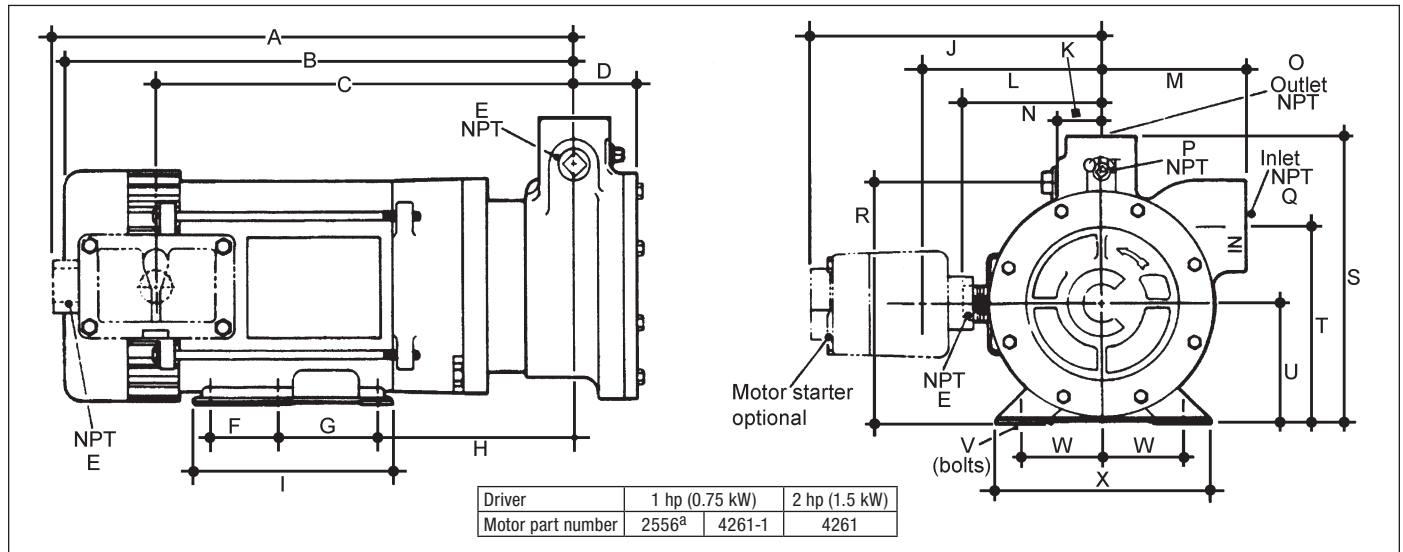


Appendix D—Outline Dimensions for C-Model (Close-Coupled) Pumps C10, C12, C13, C14, and C16

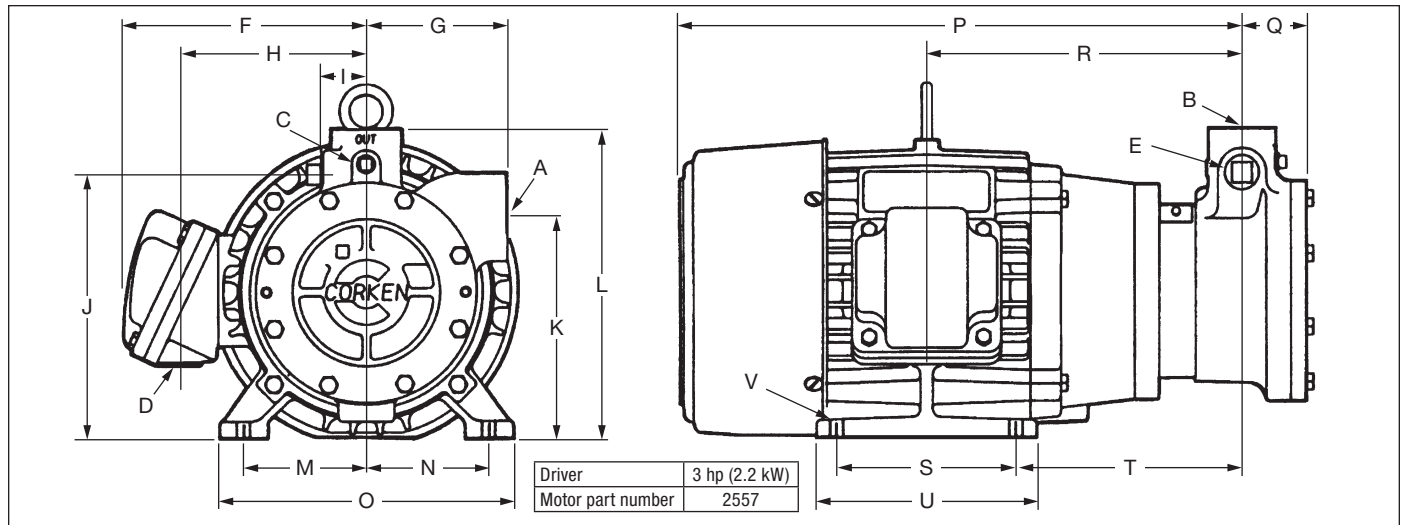
1 to 2 Hp Motors for Models C10, C12, and C13



Outline Dimensions for Pumps with Obsolete Bluffton Motors																									
Model	hp	A	B	C	D	E	F	G	H	I	J	K	L	M	N	O	P	Q	R	S	T	U	V	W	X
C10, C12	1	17-1/8 (43.50)	16-3/4 (42.55)	14 (35.58)	2 (5.08)	3/4 (1.91)	1 (2.54)	4 (10.16)	5-7/8 (14.90)	5-7/8 (14.90)	8-11/16 (22.06)	1-5/16 (3.33)	5-3/8 (13.65)	4-5/16 (10.95)	4-3/16 (10.63)	1 (2.54)	1/4 (0.64)	1-1/2 (3.81)	6-1/8 (15.56)	8-1/2 (21.59)	5-3/4 (14.61)	3-1/2 (8.89)	1/4 bolt (0.64)	2-7/16 (6.19)	6-1/2 (16.51)
C12, C13	2	18-17/32 (47.07)	18-1/16 (45.88)	14-15/16 (39.94)	2 (5.08)	3/4 (1.91)	1 (2.54)	4 (10.16)	5-7/8 (14.90)	6-1/2 (16.51)	9-5/16 (23.65)	1-5/16 (3.33)	6 (15.24)	4-5/16 (10.95)	4-13/16 (12.22)	1 (2.54)	1/4 (0.64)	1-1/2 (3.81)	7-1/8 (18.10)	9-1/2 (24.13)	6-13/16 (17.30)	3-1/2 (8.89)	3/8 bolt (0.95)	2-7/16 (6.19)	6-1/2 (16.51)
Outline Dimensions for Pumps with Marathon Motors																									
C10, C12, C13	1	15-13/16 (40.16)	15-3/4 (40.00)	12-1/8 (30.80)	2 (5.08)	3/4 (1.91)	N/A	3 (7.62)	5-7/8 (14.90)	4 (10.16)	10-3/16 (25.88)	1-5/16 (3.33)	6-7/8 (17.46)	4-5/16 (10.95)	5-5/8 (14.28)	1 (2.54)	1/4 (0.64)	1-1/2 (3.81)	7-1/8 (18.10)	9-1/2 (24.13)	6-13/16 (17.30)	3-1/2 (8.89)	3/8 bolt (0.95)	2-7/16 (6.19)	6-1/2 (16.51)
C10, C12, C13	2																								

^a These part number is obsolete and has been replaced by part #4261-1 (1 hp).

3 Hp Motors for Models C13, C14, and C16 (Single and Three Phase)



Motor Phase	A	B	C	D	E	F	G	H	I	J	K	L	M	N	O	P	Q	R	S	T	U	V
Single	Inlet: 1-1/4" NPT	Outlet: 1" NPT	1/4 (0.64) NPT	3/4 (1.91) NPT	3/4 (1.91) NPT	7-1/2 (19.05)	4-5/16 (10.95)	6 (15.24)	1-5/16 (3.33)	8-1/8 (20.64)	6-13/16 (17.30)	9-1/2 (24.13)	3-3/4 (9.52)	3-3/4 (9.52)	8-5/8 (21.91)	19-13/16 (50.32)	2 (5.08)	13-15/16 (35.40)	4-1/2 (11.43)	7-1/16 (19.94)	6-5/8 (16.83)	Bolt: 7/16 (1.11)
Three	Inlet: 1-1/4" NPT	Outlet: 1" NPT	1/4 (0.64) NPT	3/4 (1.91) NPT	3/4 (1.91) NPT	10-1/2 (26.67)	4-5/16 (10.95)	7-1/8 (18.10)	1-5/16 (3.33)	8-1/8 (20.64)	6-13/16 (17.30)	9-1/2 (24.13)	3-3/4 (9.52)	3-3/4 (9.52)	8-7/8 (22.54)	17-1/4 (43.80)	2 (5.08)	10-3/4 (27.31)	4-1/2 (11.43)	6-5/8 (16.83)	6-5/8 (16.83)	Bolt: 7/16 (1.11)

All dimensions are in inches (centimeters).